

4" & 6" Ultra-thin Downlight Kelvin Field Selectable LS-UTDR-KFS

STANDARD



FEATURES

- Field selectable 2700k (soft white), 3000k (warm white), 3500k (warm/neutral white), 4000k (neutral white), and 5000k (cool white) color temperatures.*
- Long-life LEDs provide at least 70% of initial lumen output (L_{70}) for 137,000 hours of operation.**
- Color rendering index (R_a) > 90.
- LS-UTDR-4 provides 660 nominal lumens from 9 watts and LS-UTDR-6 provides 1,000 nominal lumens from 13 watts.
- Input voltage = 120V 50-60Hz
- Power factor > 0.90.
- Total harmonic distortion < 20%.
- Triac dimming.
- Steel housing, painted white. Polystyrene lens.
- Easy installation in new construction or retrofit applications.
- Compatible with 4" (LS-UTDR-4) and 6" (LS-UTDR-6) ceiling cut-outs.
- Type IC, inherently protected. Access above ceiling required.
- This device is not intended for use with emergency exits.

WARRANTY & LISTINGS

- cULus listed for wet locations.
- Compatible for new construction and retrofit applications.
- Complies with FCC Part 15, class B.
- Complies with IEC61000-4-5, input transient protection (0.5kV).
- 5-year warranty of all electronics and housing.

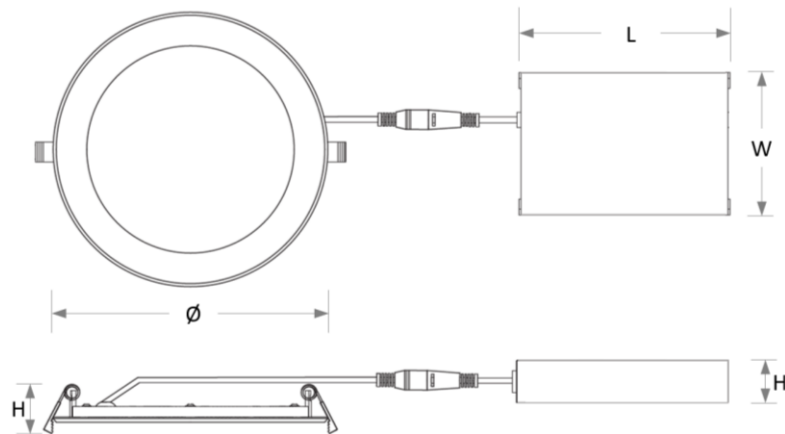
* Contact factory for other color temperatures and lumen packages.
 ** L_{70} hours are IES TM-21-11 calculated hours.



COMPATIBLE DIMMERS

Manufacturer/Series	Model Number
Lutron/Maestro C-L	MACL-153MR
Lutron/Diva	DV-600P
Lutron	PD-6WCL
Leviton/Sureslide	6674
Leviton/Sureslide	6633-P
Leviton/Sureslide	6631
Legrand/Harmony	HCL453PTCCCV6

DIMENSIONS



Model	Luminaire		Driver			Weight
	Diameter	Height	Length	Width	Height	
LS-UTDR-4	4.7"	0.5"	4.5	3.0	1.3	0.8 lbs
LS-UTDR-6	6.8"	0.5"	4.5	3.0	1.3	1 lbs

ORDERING INFORMATION

Example: LS-UTDR-4-7L-KFS

Series	Size & Nominal Lumen Output		Color Temperature	
	Size	Nominal Lumen Output	Color Temperature	Field Selectable
LS-UTDR	4-7L	700 lumens	KFS*	2700K, 3000K, 3500K, 4000K, or 5000K
	6-10L	1,000 lumens		

*Kelvin field selectable