

LED Parking Garage Canopy

LS-PG

STANDARD



FEATURES

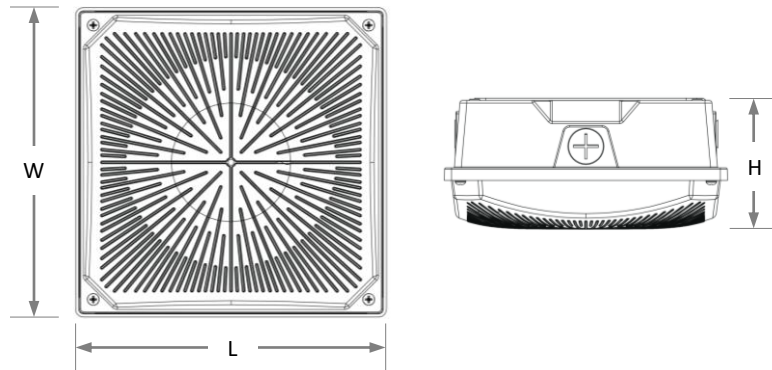
- Field selectable 3000k (warm white), 4000k (neutral white), & 5000k (cool white) color temperatures.*
- Long-life LEDs provide 169,000 hours of operation with at least 70% of initial lumen output (L_{70}), and 51,000 hours with at least 90% of initial lumen output (L_{90}).**
- LED chromaticity based on ≤ 7 -step ANSI quadrangles.
- LED color maintenance ≤ 0.001 chromaticity shift ($\Delta u'v'$) over the initial 6,000 hours of operation.
- LS-PG-5L = 5,000 nominal lumens.*
- LS-PG-10L = 10,000 nominal lumens.*
- Universal 120-277V (50/60Hz) AC voltage.
- 0-10vdc dimming drivers, which provide continuous dimming to 10% of maximum lumen output, are standard.
- Mounting options include surface-mounting and pendant-mounting using $\frac{3}{4}$ " electrical conduit.
- Optional, integral occupancy/daylight sensor is installed inside the luminaire housing and provides both on/off and dimming functions.
- Power factor ≥ 0.90 .
- Total harmonic distortion $\leq 20\%$.
- Color rendering index (R_a) > 80 . Red color rendering > -5 .
- Die cast aluminum housing with white powder coat finish.
- Polycarbonate lens.
- Easy installation in new construction or retrofit.

* Contact factory for other color temperatures and lumen packages.
 ** L_{70} hours are IES TM-21-11 calculated hours.

WARRANTY & LISTINGS

- cULus listed for wet locations in ambient temperatures from -20°C to 45°C (-4°F to 113°F).
- IP65 rated for ingress protection.
- Lens is IK10 rated for impact.
- DLC premium approved (primary use categories: Parking Garage Canopy Luminaires).
- Complies with FCC Part 15, class A.
- Standard models comply with IEC/EN 61000-4-5, surge immunity protection, 2kV. Optional 10kV surge protector available (see below for ordering information).
- 5-year warranty on all electronics and housing.

DIMENSIONS



Model	Length	Width	Height	Weight
LS-PG-5L	8"	8"	3.7"	4 lbs.
LS-PG-10L	10"	10"	4.2"	6 lbs.

ORDERING INFORMATION

Example: LS-PG-10L-KFS-ODS

Series	Nominal Lumen Output		Color Temperature		Occupancy Sensor		Surge Protection (optional)		Accessories	
	5L	10L	KFS*	3000k 4000k 5000k	ODS	Microwave dimming, daylight & occupancy sensor (factory installed)	SP10	TDC model SPD277-10K.1 10kV surge protector	HD03R	Sensor remote control
LS-PG	5,000 lumens	10,000 lumens			Blank	No occupancy sensor	Blank	No additional surge protection		

*Kelvin field selectable

ELECTRICAL DATA

Model	Color Temperature	CRI ¹	Luminaire Lumens	Luminaire Watts	Lumens/Watt	Input Voltage ²	Input Current (A)			Power Factor	THD ³	L ₇₀ Hours ⁴
							120V	240V	277V			
LS-PG-5L-KFS	3000k	> 80	5,010	40	126	120-277	0.33	0.17	0.14	> 0.90	< 20	169,000
LS-PG-5L-KFS	4000k	> 80	5,399	38	141	120-277	0.32	0.16	0.14	> 0.90	< 20	169,000
LS-PG-5L-KFS	5000k	> 80	5,462	40	137	120-277	0.33	0.17	0.14	> 0.90	< 20	169,000
LS-PG-10L-KFS	3000k	> 80	9,329	75	125	120-277	0.63	0.31	0.27	> 0.90	< 20	169,000
LS-PG-10L-KFS	4000k	> 80	10,156	71	142	120-277	0.59	0.30	0.26	> 0.90	< 20	169,000
LS-PG-10L-KFS	5000k	> 80	10,016	75	134	120-277	0.63	0.31	0.27	> 0.90	< 20	169,000

¹ Color rendering index.

² All 50-60Hz.

³ Total harmonic distortion.

⁴ L₇₀ refers to the number of hours at which lumen output declines to 70% of the initial level. L₇₀ hours are IES TM-21-11 calculated hours.

PHOTOMETRIC DATA

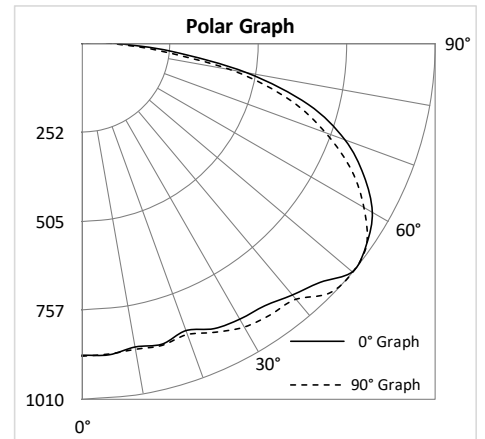
LS-PG-5L-KFS

Luminaire Data

Description	Parking Garage Luminaire 5L, Kelvin Field Selectable (3K)
Total Lumens	5,010
Input Wattage	40
Efficacy (lm/W)	126
Max. Cd.	1100.47 (225H, 49V)
IES Classification	Type VS
Longitudinal Classification	Very Short

Luminaire Classification Systems (LCS)

LCS Zone		Lumens	%Lum
FL	0-30	377	7.5%
FM	30-60	1,117	22.3%
FH	60-80	765	15.3%
FVH	80-90	147	2.9%
BL	0-30	388	7.7%
BM	30-60	1,171	23.4%
BH	60-80	735	14.7%
BVH	80-90	123	2.5%
UL	90-100	72	1.4%
UH	100-180	116	2.3%
Total		5,010	100.0%
BUG Rating		B2-U3-G2	



LS-PG-10L-KFS

Luminaire Data

Description	Parking Garage Luminaire 10L, Kelvin Field Selectable (3K)
Total Lumens	9,329
Input Wattage	75
Efficacy (lm/W)	125
Max. Cd.	1987.47 (270H, 46V)
IES Classification	Type VS
Longitudinal Classification	Short

Luminaire Classification Systems (LCS)

LCS Zone		Lumens	%Lum
FL	0-30	774	8.3%
FM	30-60	2,084	22.3%
FH	60-80	1,355	14.5%
FVH	80-90	283	3.0%
BL	0-30	773	8.3%
BM	30-60	2,093	22.4%
BH	60-80	1,351	14.5%
BVH	80-90	280	3.0%
UL	90-100	135	1.4%
UH	100-180	201	2.2%
Total		9,329	100.0%
BUG Rating		B3-U3-G3	

