

Date:	Approved:
Type:	
Fixture:	
Project:	

Disc Light – Kelvin Field Selectable LS-DL-KFS

STANDARD



FEATURES

- Field selectable 2700k (soft white), 3000k (warm white), 3500k (warm/neutral white), 4000k (neutral white), and 5000k (cool white) color temperatures.*
- Long-life LEDs provide at least 70% of initial lumen output (L_{70}) for 119,000 hours of operation.**
- Color rendering index (R_a) > 90.
- 1,100 nominal lumens.
- 18 nominal watts.
- Input voltage = 120V 60Hz.
- Power factor > 0.90.
- Triac dimming.
- Aluminum housing.
- White, nickel, or bronze housing color.
- Glass lens.
- Easy installation in new construction or remodel applications.
- This device is not intended for use with emergency exits.

WARRANTY & LISTINGS

- cETLus listed for damp locations in ambient temperatures of -15°C to 40°C (5°F to 104°F).
- Energy Star qualified.
- Title 24 qualified.
- Complies with FCC Part 15, class B.
- Input transient protection = 2.5kV.
- 5-year warranty of all electronics and housing.

* Contact factory for other color temperatures and lumen packages.

** L_{70} hours are IES TM-21-11 calculated hours.

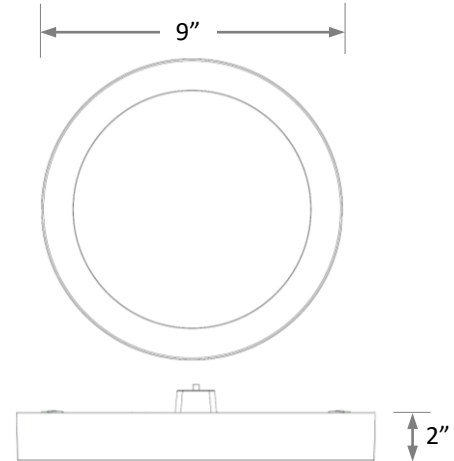


Shown with brushed nickel finish

COMPATIBLE DIMMERS

Manufacturer/Series	Model Number
Lutron Diva	DVCL-153PR-WH
Lutron Diva	CTCL-153PDH-WH
Lutron Diva	TGCL-153PH-WH
Lutron Diva	MACL-153MH-WH
Lutron Diva	P-PKG1W-WH-R
Leviton	R62-06674-P0W
Leviton	R12-06672-1LW
Leviton	R50-IPL06-10M
Eaton	SAL06P-LA-K

DIMENSIONS



Weight: 2 lbs.

ORDERING INFORMATION

Example: LS-DL9-11L-KFS-WH

Series	Nominal Lumen Output	Color Temperature		Housing Color			
		KFS*					
LS-DL9	11L = 1,100 lm	KFS*	2700k	WH	White		
			3000k			BN	Brushed Nickle
			3500k			BZ	Bronze
			4000k				
			5000k				

* Field-selectable