

## LSBRK-8A 8" Architectural Downlight

### STANDARD



### FEATURES

- Available in 3500k (warm/neutral white), 4000k (neutral white), and 5000k (cool white) color temperatures.\*
- Long-life LEDs provide at least 70% of initial lumen output ( $L_{70}$ ) for 53,000 hours of operation.\*\*
- Color rendering index ( $R_a$ ) > 80.
- Provides 2,300 nominal lumens.
- 24 nominal watts.
- Universal 120-277 AC voltage (50-60Hz) is standard.
- Power factor > 0.90.
- Total harmonic distortion < 20%.
- 0-10VDC dimming is standard.
- Aluminum housing with white baffle trim.
- Easy installation in new construction or retrofit applications. Flexible conduit attaches to junction box.
- Compatible with 8.06" ceiling cut-outs and 8" mounting frames.
- Type IC, inherently protected. Access above ceiling required.
- This device is not intended for use with emergency exits.

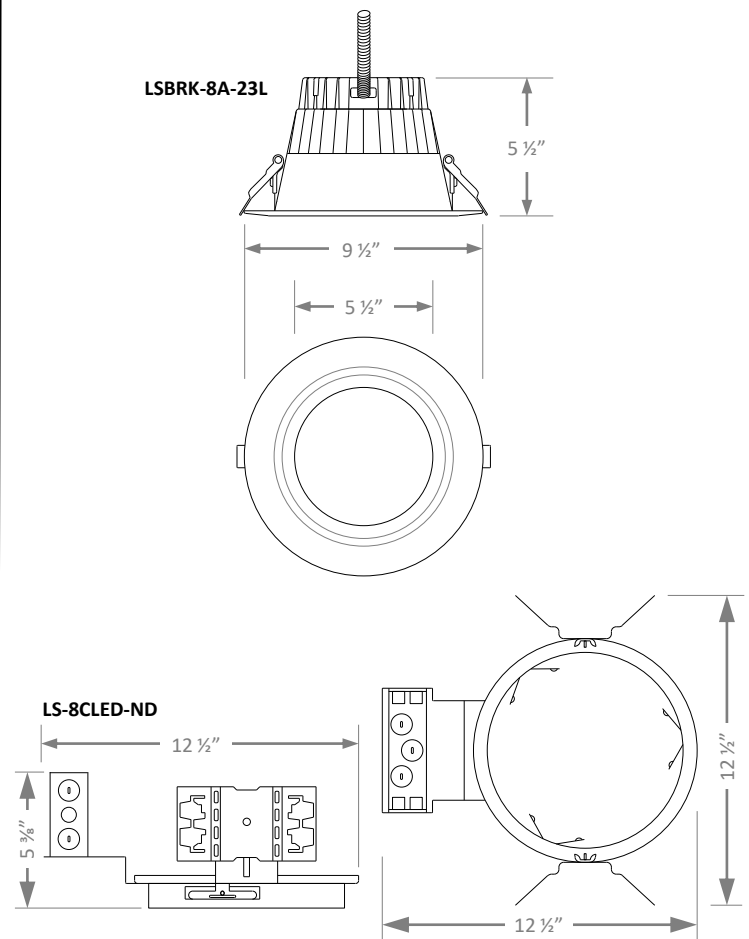
### WARRANTY & LISTINGS

- cULus listed for wet locations.
- Energy Star certified.
- Compatible for new construction and retrofit applications.
- Complies with FCC Part 15, class A.
- Complies with EN61000-4-5 surge protection (line-neutral, 1kV; line-neutral-ground, 2.5kV).
- Complies with RoHS (Restriction on Hazardous Substances) requirements.
- 5-year warranty of all electronics and housing.

\* Contact factory for other color temperatures and lumen packages.  
 \*\*  $L_{70}$  hours are IES TM-21-11 calculated hours.



### DIMENSIONS



### ORDERING INFORMATION

Example: LSBRK-8A-23L-5K

Series	Lumen Output	Color Temperature	Accessories (Order Separately)
LSBRK-8A	23L   2,300	35K   3500k	LS-8CLED-ND   Mounting frame with j-box
		4K   4000k	
		5K   5000k	