

Date:	Approved:
Type:	
Fixture:	
Project:	

CT141

STANDARD



FEATURES

- Replaces a 1000W DE 1:1
- Ideally Suited for GH Supplemental or Indoor Top Lighting
- Industry Leading Performance
- Patented Tunable Spectrum (USPN 9,820,447; 10,159,198; CAPN CA 2994308C)
- Natural White Light
- Patent Pending Thermal Solution
- Powder Coated Aluminum Housing
- UL1598D Horticulture Approved
- Made in the USA

SPECIFICATIONS

Light Source

LED

Spectra

Patented Multi-White Daylight

Analog

Efficacy (640W)

2.0 $\mu\text{mol}/\text{J}$

PPF (640W)

1280 μmol

Input Power

640W MAX

Input Voltage/Current (640W)

120 @ 5.3A | 240 @ 2.7A | 277 @ 2.3A

L/H/W | Weight

19.68" / 7.28" / 10.25" | 15lbs

Mounting Height

>36 Inches Above Canopy

Operating Temperature

Of - 90F

Thermal Management

PATENT PENDING INFINITE

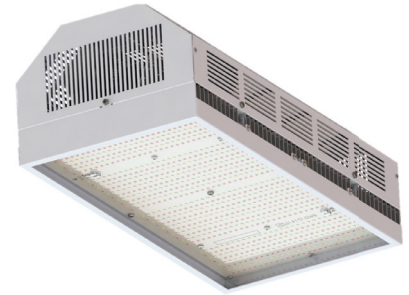
LIFE AIR MOVER

Dimming

0-10V/PWM

Lifetime per TM21 L70/L90

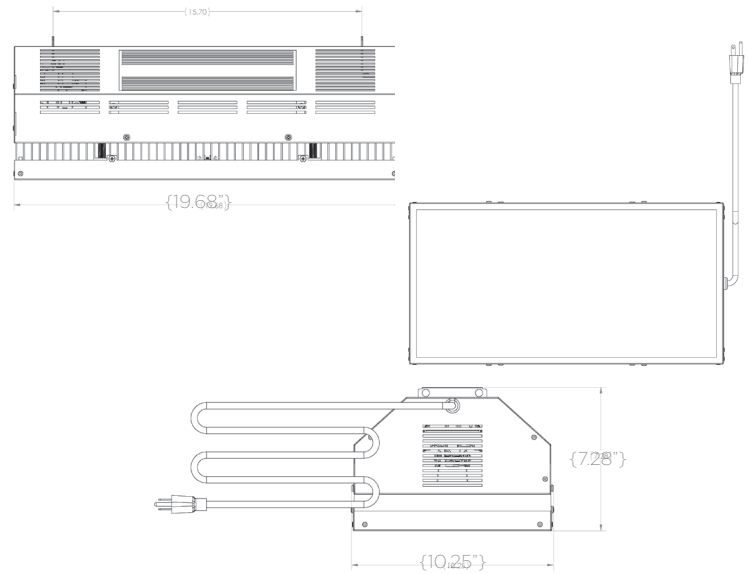
80K hrs / 25K hrs



WARRANTY/LISTING

- 5 Year Standard Warranty

DIMENSIONS

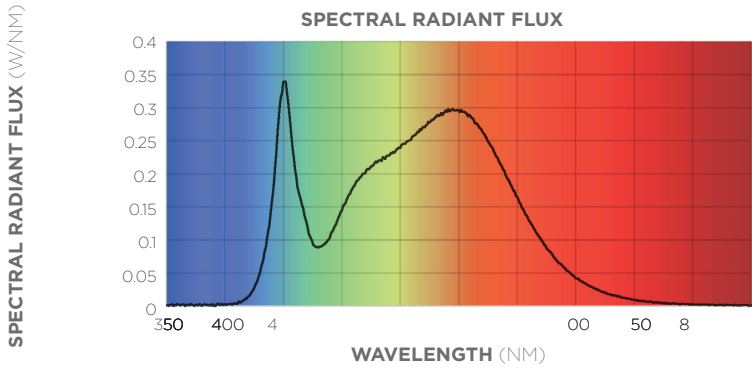
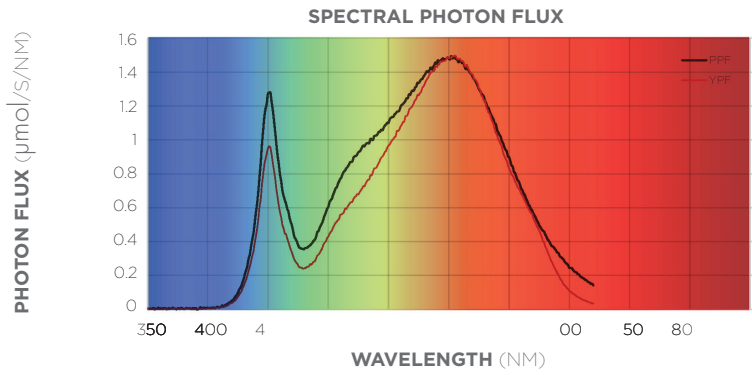


Length	Height	Weight
19.68"	7.28"	15 lbs.

ORDERING INFORMATION

Family	Power	Input Voltage	Cord/Plug
CT141	640	ST= 90~305VAC (standard) HV=180~528VAC	#= Cord Length (10' standard) #N5= 5-15P #N6= 6-15P #L7= L7-15P #W= Whip (no plug)

ELECTRICAL DATA



	WAVELENGTH RANGE (NM)	PHOTON FLUX (µmol/SEC)
UVA	350 - 360	0.309428
	360 - 370	0.349855
	370 - 380	0.855815
	380 - 390	2.767791
	390 - 400	2.073109
VIOLET	400 - 410	0.847787
	410 - 420	1.436211
	420 - 430	4.914774
	430 - 440	14.775535
	440 - 450	36.382552
BLUE	450 - 460	39.087795
	460 - 470	21.424443
	470 - 480	14.980032
	480 - 490	16.940827
	490 - 500	23.280355
CYAN	500 - 510	29.828746
	510 - 520	34.377020
	520 - 530	37.940789
	530 - 540	41.832437
	540 - 550	46.578273
GREEN	550 - 560	52.221848
	560 - 570	58.830638
	570 - 580	66.308024
	580 - 590	73.497176

	WAVELENGTH RANGE (NM)	PHOTON FLUX (µmol/SEC)
ORANGE	590 - 600	78.971500
	600 - 610	81.174454
	610 - 620	79.316997
	620 - 630	73.759685
	630 - 640	65.522698
RED	640 - 650	55.820996
	650 - 660	45.954216
	660 - 670	36.687032
	670 - 680	28.638667
	680 - 690	21.974312
INFRARED	690 - 700	16.599117
	700 - 710	12.444757
	710 - 720	9.283270
	720 - 730	6.910731
	730 - 740	5.119883
	740 - 750	3.792827
	750 - 760	2.826129
	760 - 770	2.113884
	770 - 780	1.582914
	780 - 790	1.191579
	790 - 800	0.904732