

## New Construction Adjustable Mini LED Multiple Downlight with 5 Lamps

### Description

The Mini Multiple Downlight Series is equipped with 5, 10 and 15, 5x2, 10x2, 15x2 lamps. The miniaturized design, die-cast aluminum body, and high-performance acrylic diffuser provide uniform scientific light output for maximum visual comfort. Recessed rectangular luminaire with LEDs. Shaped steel sheet structural compartment with outer rim. The N\*5 lighting cells linear body, in die-cast aluminium, can be used to direct the emission with a tilting adjustability of +/- 30 °. Metallised thermoplastic high definition optics, integrated in a rear position in the black anti-glare screen; the structure of the optical system prevents a pinpoint effect, allowing precise, circular light distribution and emission with controlled luminance.

### Features

- The simplified retrofit installation can be used in both new and existing spaces.
- Dimmable with a variety of commonly used drivers.
- Life Rated for 50,000 hours at 70% lumen maintenance.
- Easy installation for new construction and remodel applications.

### Specification

- Luminaire efficacy: 65 to 80lm/W
- Source: White LED module (LM-80 tested) 2700K~6000K CRI>90

- Lumen maintenance: 90% of initial lumens at 50 000 hours (L90) (LM79 tested)
- Optics: Low luminance: Spot optic, with pptibeam technology
- Material: Body and Heat sink: Die-cast aluminum, Reflector and Baffle: Thermoplastic
- Mounting: New construction installation or remodel installation
- Electrical: High efficiency electronic driver, rated at 50 000 hours
- Weight: 0.1 to 2.42lbs (0.05 to 1.1kg)
- Warranty: 3 year limited warranty.

### Listing / Warranty

ETL listed to US and Canadian standards for damp location W/Feed through. 3 Year Limited Warranty.

### Applications

Suitable for jewelry stores, boutiques, luxury goods stores, shopping malls and other places that require concentrated lighting and accent lighting.

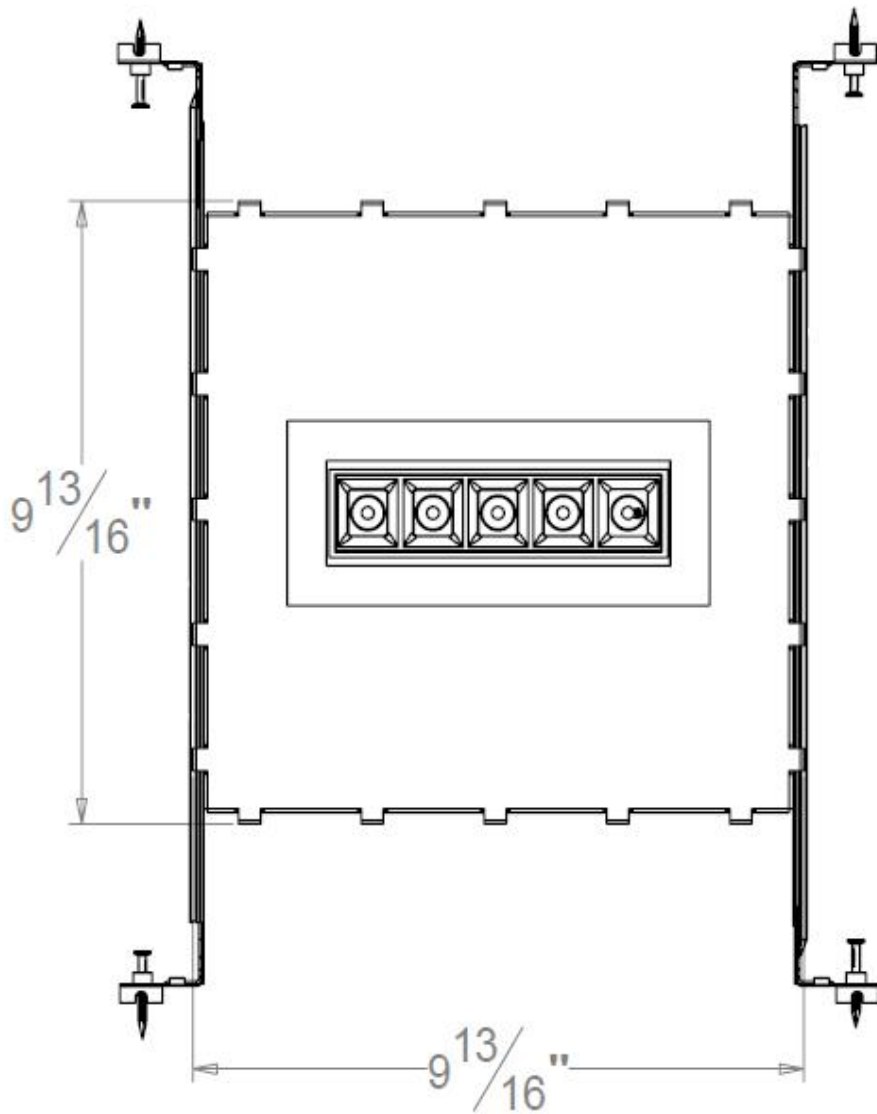
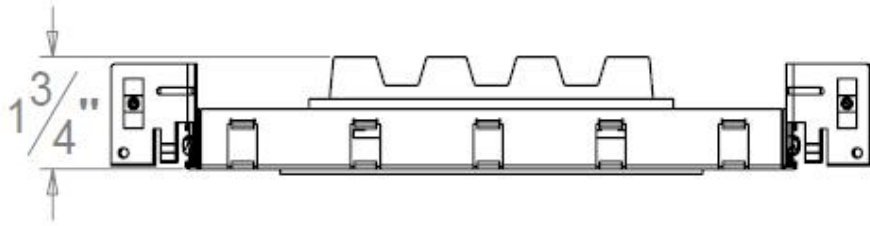
### Parameter

Wattage	2W/Lamp
Lumen	65-80lm/W
Optics	30°
CCT	2700K ~ 6000K
Material	Die-cast Aluminum
Dimming	Non/TRIAC/0~10V
Finish	White/Black/Silver

### Ceiling Cut Hole

Lamp	5 Lamp	10 Lamps	15 Lamps	2x5 Lamps	2x10 Lamps	2x15 Lamps
Cut-out Size	$2\frac{1}{4}'' \times 6\frac{1}{16}''$ (57x155mm)	$2\frac{1}{4}'' \times 11\frac{5}{16}''$ (57x288mm)	$2\frac{1}{4}'' \times 16\frac{1}{2}''$ (57x 419mm)	$5\frac{7}{16}'' \times 5\frac{1}{2}''$ (140x 155mm)	$5\frac{7}{16}'' \times 11\frac{5}{8}''$ (140x288mm)	$5\frac{7}{16}'' \times 16\frac{1}{2}''$ (140x419mm)

## Dimensions



## Ordering Guide

### Series/Lumen

- LS-G4011A-05-A-NC/720lm
- New Construction Mini LED Multiple  
Downlight

### Input Voltage

- 120V
- 230V
- 277V
- 120-277V AC

### CCT/CRI

- 3000K/90+
- 4000K/90+
- 5000K/90+

### Dimming

- Non-dimming
- TRIAC Dimming
- 0~10V Dimming

### Finish

- White
- Black
- Silver

### Reflector

- White
- Black
- Chrome
- Gold



## Notes:

1. In order to ensure normal operation of the product, please ensure that the voltage used is within the marked voltage range.
2. Please install and use the product in the correct way.
3. Please turn off the power to avoid the risk of electric shock when installing or removing product.
4. Do not look directly at LED light source for a long time, high intensity light source may cause eye injury.
5. If you find any of the following problems, please ask a qualified electrician for repair service. Do not disassemble it at will:
  - When the product produces odorous gas, abnormal sound or unusual flashing.
  - When the shell is damaged and foreign bodies invade the interior.