

Constant-Current Emergency LED Driver LS-EM-CC



STANDARD



ILLUMINATION

- Provides constant current (350 or 500 mA) output to the load during emergency mode operation.
- Can be operated as NORMALLY-ON, NORMALLY-OFF or SWITCHED LOAD.

ELECTRICAL

- Universal 120-277V, 50/60 Hz input.
- Charge/Power "ON" LED indicator light and push-to-test switch for mandated code compliance testing.
- Long-life, maintenance free, rechargeable NiCad battery.
- Output short/overcurrent protection: Electronic limiting, with normal operation resuming upon removal of fault.
- 90 Minute minimum emergency operating time over full temperature range (other run times available upon request).
- 24 Hour maximum battery recharge time.
- LED emergency driver is equipped with a switch to choose 350mA or 500mA constant current output.
- Output classification: Class 2 Compliant.
- Surge protection: Per C62.41 (TVS).
- Input overcurrent protection: Fusible link.

HOUSING

- LED illuminated and remote mounted test switch.
- Injection-molded, engineering grade, 5VA flame retardant, high-impact resistant, thermoplastic in a black finish.

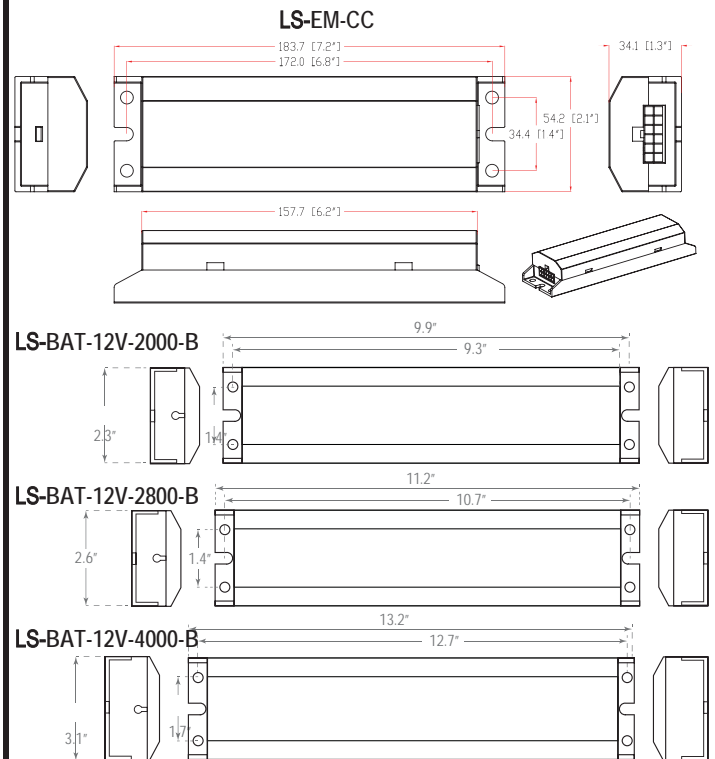
MOUNTING

- Suitable for installation inside or top of the fixture.

WARRANTY/LISTING

- UL Recognized for factory installation.
- Suitable for damp locations (0°C - 50°C).
- 5 year warranty on all electronics and housing.
- Meets UL924, NFPA 101 Life Safety Code, NEC, OSHA, Local and State codes.

DIMENSIONS



ORDERING INFORMATION

MODEL	OUTPUT CURRENT (mA)	OUTPUT VOLTAGE (VDC)	OUTPUT POWER (W)
LS-EM-CC-1428/350	350	14-28	4.9 - 10
LS-EM-CC-1442/350	350	14-42	4.9 - 15
LS-EM-CC-1450/350	350	14-50	4.9 - 17.5
LS-EM-CC-1420/500	500	14-20	7.0 - 10
LS-EM-CC-1430/500	500	14-30	7.0 - 15
LS-EM-CC-1440/500	500	14-40	7.0 - 20

NOTE: Refer to chart on Page 2 for information on driver/battery combination

ELECTRICAL INFORMATION

MODEL	INPUT CURRENT (A)	INPUT POWER (W)
<i>LS-EM-CC-1428/350</i>	<i>0.05</i>	<i>3.4</i>
<i>LS-EM-CC-1442/350</i>	<i>0.07</i>	<i>5.0</i>
<i>LS-EM-CC-1450/350</i>	<i>0.09</i>	<i>6.5</i>
<i>LS-EM-CC-1420/500</i>	<i>0.05</i>	<i>3.4</i>
<i>LS-EM-CC-1430/500</i>	<i>0.07</i>	<i>5.0</i>
<i>LS-EM-CC-1440/500</i>	<i>0.09</i>	<i>6.5</i>

DRIVER / BATTERY SELECTION CHART

MODEL	DRIVER	BATTERY	OUTPUT SELECT SWITCH
<i>LS-EM-CC-1428/350</i>	<i>LS-EM-CC</i>	<i>LS-BAT-12V-2000</i>	<i>350</i>
<i>LS-EM-CC-1442/350</i>	<i>LS-EM-CC</i>	<i>LS-BAT-12V-2800</i>	<i>350</i>
<i>LS-EM-CC-1450/350</i>	<i>LS-EM-CC</i>	<i>LS-BAT-12V-4000</i>	<i>350</i>
<i>LS-EM-CC-1420/500</i>	<i>LS-EM-CC</i>	<i>LS-BAT-12V-2000</i>	<i>500</i>
<i>LS-EM-CC-1430/500</i>	<i>LS-EM-CC</i>	<i>LS-BAT-12V-2800</i>	<i>500</i>
<i>LS-EM-CC-1440/500</i>	<i>LS-EM-CC</i>	<i>LS-BAT-12V-4000</i>	<i>500</i>