

LSSM Round Series

Round Slim Profile for Flush Ceiling, Wall, or Surface Mounted Applications.

ADA



LSSMR55



LSSMR7



LSSMR10



LSSMR15

ORDERING

EXAMPLE: FCSMR7-120-3K-1000-BZ-LD

SERIES	VOLTAGE	CCT	SOURCE/TEMPERATURE/LAMP	FINISH	OPTION
LSSMR55	120 120V	3K 3000K (standard)	LSSMR55 3K 660 Lumens (10W)	NK Nickel	LD LED Dimming - TRIAC standard
LSSMR7	277 ¹ 120V	27K ¹ 2700K	LSSMR7 3K 1000 Lumens (15W)	BZ Bronze	EMR-H ² Round & Square 5", 7", 10, 15", 24"
LSSMR10		4K ¹ 4000K	LSSMR10 3K 1700 Lumens (28W)	WH White	
LSSMR15 ¹			LSSMR15 3K 2400 Lumens (40W)		
LSSHMR24 ¹			LSSHMR24 ¹ 3K 3300 Lumens (48W)		

¹ Custom Min. 500 piece order. ² Consult factory.

** Leviton - 6672-6673

SPECIFICATION

MOUNTING

- For wall, ceiling or surface mount applications. Mounting holes allow unit to be attached directly to a standard 3" or 4" junction box.

CONSTRUCTION

- Polycarbonate Trim.
- Impact resistant lens, UV stabilized, white opal, polycarbonate. Vandal resistant.

LED

- Lumens stated are minimum delivered out of the luminaire. LED lifetime is greater than or equal to 70,000 hours with the lumen depreciation greater than L70. All of our luminaires are tested to LM 80, are CRI 90 and a 4-step MacAdam Ellipse color consistency. Integral power supply standard. Input voltage 120V. Dimmable.

FINISH

- Six stage chemical pre-treatment process that includes iron phosphate, to prepare the substrate for a UV stable, super durable standard polyester powder coat.

ELECTRICAL

- Ballast** Ballast has a manufacturer issued 5 year warranty. Electronic voltage universal 120V is standard.

LISTING

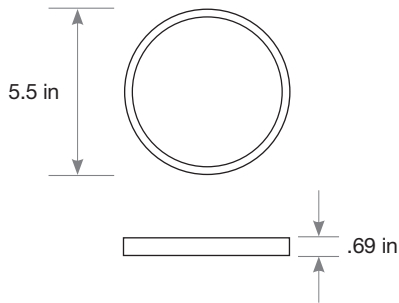
- UL & cUL listed for dry or wet locations. IP65 rating. Meets ADA requirements.



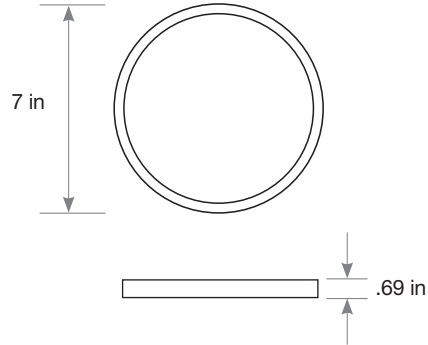
PHOTOMETRY

DIMENSIONS

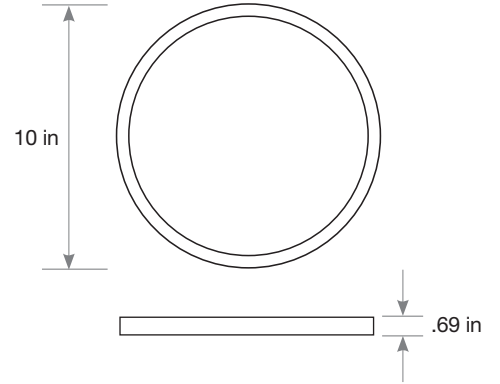
LSSMR55



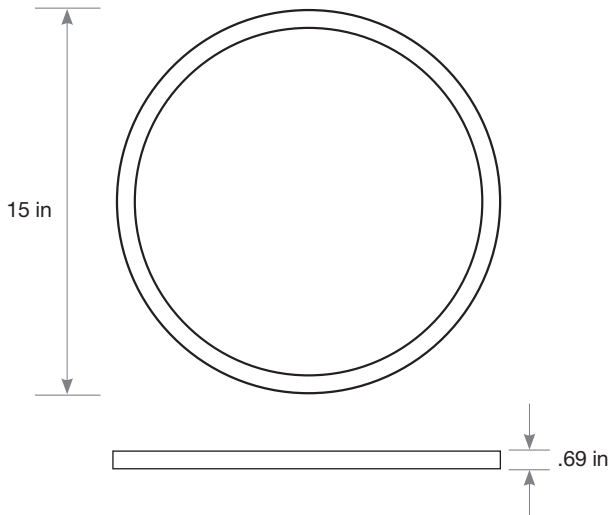
LSSMR7



LSSMR10



LSSHMR15



LSSHMR24

