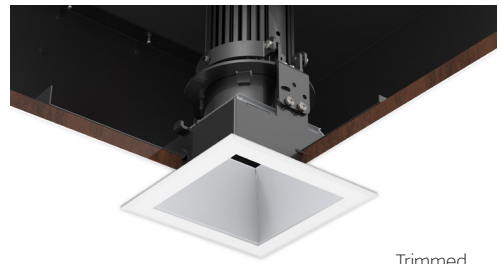


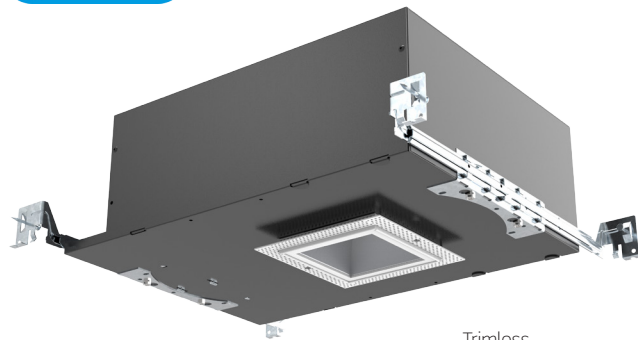
LS-35-M-2-S

3.5" SQUARE COB LED SHALLOW RECESSED DOWNLIGHT KITS

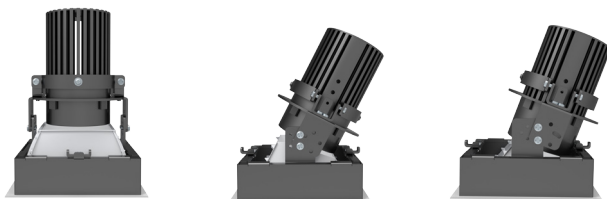


Trimmed

DOWNLIGHT ADJUSTABLE WALL WASH	TRIM/TRIMLESS	IC NON-IC HOUSING TYPES	LOCABLE VERTICAL & HORIZONTAL ADJING	12° 24° 36° BEAM ANGLE	2700K 3000K 3500K 4000K 5000K CCT	80/90 LED CRI
--------------------------------	---------------	-------------------------	--------------------------------------	------------------------	-----------------------------------	---------------



Trimless



Vertical

Adjustable

Wall Wash

※ Achieve 3 functions through changing screw setting places and replacing matched reflectors.

Mounting Type	Recessed Mount
Wattage	10W
Lumen Efficiency	100lm/W
CRI	80+/90+
CCT	2700K/3000K/4000K/5000K
Input Voltage	AC 120V/277V/120-277V
Power Factor	>0.98
Dimming	None/TRIAC/RD 0-10V Dimming
Location	Insulated Ceiling & Damp Locations
Lifespan	50000 Hours at 70% Light Output
Optics	12°/24°/36°

DESCRIPTION

3.5 inch Shallow LED recessed fixtures with round or square apertures offer energy-efficient, precision lighting for accent, task, or wall wash applications.

This dimmable LED recessed light is designed with only a 4-5/8" high housing to easily fit into new construction tight plenums.

A feature enriched, small aperture downlight, the innovative design allows the LED to be positioned closer to the aperture for maximum light output and efficiency or higher to minimize glare and flash on the trim.

This low profile LED downlight delivers about 950 lumens of award-winning lighting performance while using minimal plenum space.

Let your ceilings stand tall, and give them the room they deserve.

FEATURES

Separable rotating reflector design makes it easy for replacement.

Provide unique high-low lamp positioning with the simple twist of a screwdriver.

Power supply using isolation scheme, driver can achieve high power factor and conversion efficiency, constant current output.

Universal 120V-277V driver with optional 0-10V standard dimming protocol.

HOUSING

Heavy duty black powder coated cold roll steel frame.

Design for New Construction installation.

Housing can be installed in 1/2" to 1-3/8" thick ceilings.

Housing types include IC Air-Tight or Non-IC Rated (must specify).

Junction box and driver are located on opposite ends of the housing, with easy access for maintenance and installation.

Optional round or square aperture shape.

Trimless design is available.

OPTICS

12° Spot, 24° Narrow Flood and 36° Flood.

APPLICATIONS

Widely used for commercial and residential applications.

LISTING / WARRANTY

ETL listed to US and Canadian standards for damp location W/Feed through.
5 Years Limited Warranty.



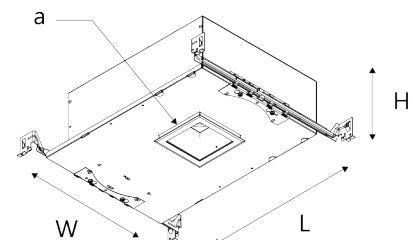
DIMENSIONS

L: 15 3/8"

W: 11 5/16"

H: 4 7/8"

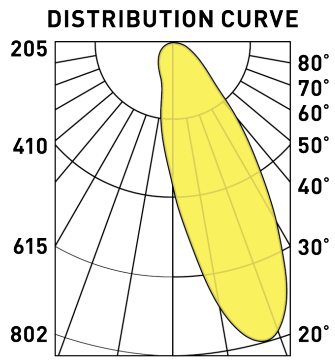
a: 4 1/16"





LIGHT DISTRIBUTION CURVE

For Wall Wash Lamp

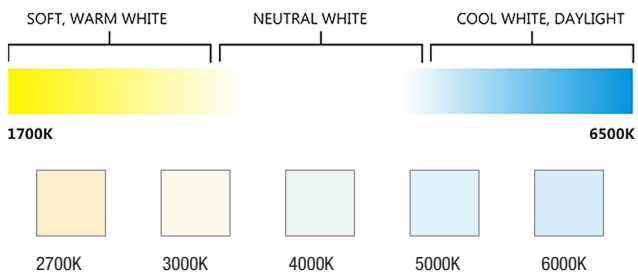


Watts: 15.1
Lumens: 579
LPW: 38
CCT: 3000K
CRI: 82

DISTRIBUTION FROM WALL

DISTANCE FROM CEILING	2' From Wall On 2' Centers			3' From Wall On 2' Centers			3' From Wall On 3' Centers		
	□	□	□	□	□	□	□	□	□
1'	12	12	12	4	4	4	3	3	3
2'	19	20	19	8	8	8	6	7	6
3'	23	25	23	10	11	10	8	9	8
4'	20	22	20	12	13	12	10	11	10
5'	15	16	15	12	13	12	10	11	10
6'	10	11	10	11	12	11	9	10	9
7'	7	8	7	9	9	9	7	8	7
8'	5	5	5	7	7	7	6	6	6
9'	3	4	3	5	5	5	5	5	5
10'	3	3	3	4	4	4	4	4	4
11'	2	2	2	3	3	3	3	3	3
12'	1	1	1	2	2	2	2	2	2

COLOR TEMPERATURE



ORDERING GUIDE / YOUR PRODUCT CODE

SERIES	TRIM	HOUSING TYPE	FRAME	FUNCTIONS	OPTICS	CONTROL SYSTEM
<input type="radio"/> LS-35-M-2-S 3.5" Downlight	<input type="radio"/> TRIMMED <input type="radio"/> TRIMLESS	<input type="radio"/> NON-IC <input type="radio"/> IC	<input type="radio"/> Butterfly Brackets with C-channel <input type="radio"/> Universal Hanger Bar	<input type="radio"/> Vertical Downlight <input type="radio"/> Adjustable Downlight <input type="radio"/> Wall Wash Downlight	<input type="radio"/> 12° Spot <input type="radio"/> 24° Narrow Flood <input type="radio"/> 36° Flood	<input type="radio"/> 0-10V & 1-10V <input type="radio"/> DMX512 <input type="radio"/> 3CCT (3500K,4500K,6000K)
INPUT VOLTAGE	WATTAGE	CCT	LED AVAILABLE	DIMMABLE	FINISH	
<input type="radio"/> 120V <input type="radio"/> 277V <input type="radio"/> 120-277V	<input type="radio"/> LED 10W	<input type="radio"/> 2700K <input type="radio"/> 3000K <input type="radio"/> 3500K <input type="radio"/> 4000K <input type="radio"/> 5000K <input type="radio"/> RGB <input type="radio"/> RGBW	<input type="radio"/> Cree <input type="radio"/> Citizen <input type="radio"/> Epistar <input type="radio"/> Seoul <input type="radio"/> Osram	<input type="radio"/> Non-Dimmable <input type="radio"/> TRIAC Dimming <input type="radio"/> 0-10V Dimming	<input type="radio"/> White <input type="radio"/> Black <input type="radio"/> Satin Nickel	<input type="radio"/> DALI <input type="radio"/> GRPS Control <input type="radio"/> LED Power Controller PLC <input type="radio"/> SCR <input type="radio"/> SPI <input type="radio"/> WIFI <input type="radio"/> ZIGBEE

* Customized Also Available