

| | |
|----------|-----------|
| Date: | Approved: |
| Type: | |
| Fixture: | |
| Project: | |

Series Vapor Tight Luminaire LS-VTP

STANDARD



The LS-VTP is a surface-mounted LED luminaire, which is designed to prevent the intrusion of moisture and dust. The LS-VTP provides general ambient lighting in commercial and industrial settings, and is the perfect choice for both new construction and retrofits. This high-efficacy luminaire provides long-life and uniform illumination, as well as standard 0-10vdc dimming capability.

FEATURES

- Available in 3500k (warm/neutral white), 4000k (neutral white) and 5000k (cool white) color temperatures.*
- Long-life LEDs provide at least 89,000 hours of operation with at least 70% of initial lumen output (L_{70}).**
- LS-VTP-35 provides 4,244 luminaire lumens (125 LPW) at 3500k; 4,550 luminaire lumens (130 LPW) at 4000k; and 4,585 luminaire lumens (131 LPW) at 5000k.*
- LS-VTP-40 provides 4,793 luminaire lumens (120 LPW) at 3500k; 5,200 luminaire lumens (130 LPW) at 4000k; and 5,240 luminaire lumens (131 LPW) at 5000k.*
- LS-VTP-52 provides 6,469 luminaire lumens (127 LPW) at 3500k; 6,760 luminaire lumens (130 LPW) at 4000k; and 6,812 luminaire lumens (131 LPW) at 5000k.*
- Uniform illumination with no visible LED pixelation.
- Universal 120-277 AC voltage (50-60Hz) is standard.
- 0-10vdc dimming capability is standard.
- Power factor > 0.90.
- Total harmonic distortion < 20%.
- Color rendering index > 80.
- ABS (acrylonitrile butadiene styrene) housing and polycarbonate lens.
- Stainless steel mounting bracket and lens clips are standard.
- Heavy duty wall-mount bracket provides for secure wall and ceiling installation.
- Easy installation in new construction or retrofit.

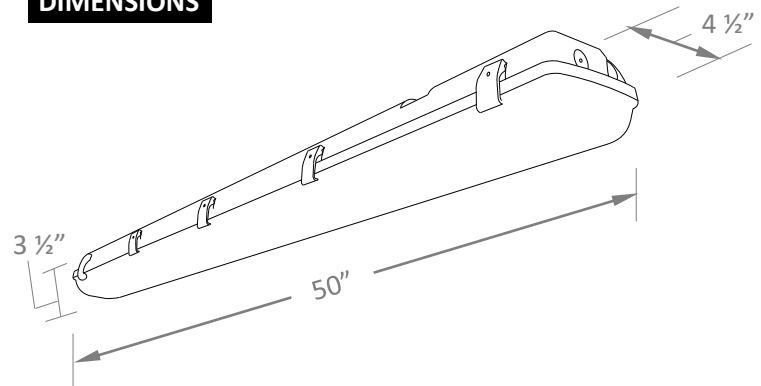
* Contact factory for other color temperatures and lumen packages.
** L_{70} hours are IES TM-21-11 calculated hours.



WARRANTY & LISTINGS

- cULus approved for wet locations (-20° C to 50° C / -4° F to 122° F).
- IP65 rated for ingress protection.
- DLC premium approved.
- Complies with FCC Part 15, Class A.
- Complies with IEEE C.62.41-1991, input transient protection (2.5kV).
- Complies with RoHS (Restriction on Hazardous Substances) requirements.
- 5-year warranty of all electronics and housing.

DIMENSIONS



ORDERING INFORMATION

| Model | Color Temperature | Luminaire Lumens | Luminaire Watts | Lumens / Watt | Options (Order Separately) |
|--------------------|-------------------|------------------|-----------------|---------------|--|
| LS-VTP-35-35KMV-ET | 3500k | 4,244 | 35 | 125 | MC613VDRC = Internal occupancy sensor |
| LS-VTP-35-4KMV-ET | 4000k | 4,550 | 35 | 130 | |
| LS-VTP-35-5KMV-ET | 5000k | 4,585 | 35 | 131 | LS-EM-CP-800 = Emergency driver (800 lm) |
| LS-VTP-40-35KMV-ET | 3500k | 4,793 | 40 | 120 | |
| LS-VTP-40-4KMV-ET | 4000k | 5,200 | 40 | 130 | LS-EM-CP-1200 = Emergency driver (1200 lm) |
| LS-VTP-40-5KMV-ET | 5000k | 5,240 | 40 | 131 | |
| LS-VTP-52-35KMV-ET | 3500k | 6,469 | 52 | 127 | LS-EM-CP-1600 = Emergency driver (1600 lm) |
| LS-VTP-52-4KMV-ET | 4000k | 6,760 | 52 | 130 | |
| LS-VTP-52-5KMV-ET | 5000k | 6,812 | 52 | 131 | |

ELECTRICAL

| Model | Color Temp. | CRI ¹ | Luminaire Lumens | Luminaire Watts | Lumens Per Watt | Input Voltage ² | Input Current (A) | | | Power Factor | THD ³ | L ₇₀ Hours ⁴ |
|---------------------|-------------|------------------|------------------|-----------------|-----------------|----------------------------|-------------------|------|------|--------------|------------------|------------------------------------|
| | | | | | | | 120V | 240V | 277V | | | |
| LS-VTP-35-35KMV- ET | 3500k | > 80 | 4,244 | 35 | 125 | 120-277 | 0.28 | 0.14 | 0.12 | > 90% | < 20% | 105,000 |
| LS-VTP-35-4KMV- ET | 4000k | > 80 | 4,550 | 35 | 130 | 120-277 | 0.29 | 0.15 | 0.13 | > 90% | < 20% | 105,000 |
| LS-VTP-35-5KMV- ET | 5000k | > 80 | 4,585 | 35 | 131 | 120-277 | 0.29 | 0.15 | 0.13 | > 90% | < 20% | 105,000 |
| LS-VTP-40-35KMV- ET | 3500k | > 80 | 4,793 | 40 | 120 | 120-277 | 0.33 | 0.17 | 0.14 | > 90% | < 20% | 104,000 |
| LS-VTP-40-4KMV- ET | 4000k | > 80 | 5,200 | 40 | 130 | 120-277 | 0.33 | 0.17 | 0.14 | > 90% | < 20% | 104,000 |
| LS-VTP-40-5KMV- ET | 5000k | > 80 | 5,240 | 40 | 131 | 120-277 | 0.33 | 0.17 | 0.14 | > 90% | < 20% | 104,000 |
| LS-VTP-52-35KMV- ET | 3500k | > 80 | 6,469 | 52 | 127 | 120-277 | 0.43 | 0.21 | 0.18 | > 90% | < 20% | 89,000 |
| LS-VTP-52-4KMV- ET | 4000k | > 80 | 6,760 | 52 | 130 | 120-277 | 0.43 | 0.22 | 0.19 | > 90% | < 20% | 89,000 |
| LS-VTP-52-5KMV- ET | 5000k | > 80 | 6,812 | 52 | 131 | 120-277 | 0.43 | 0.22 | 0.19 | > 90% | < 20% | 89,000 |

¹ Color rendering index.

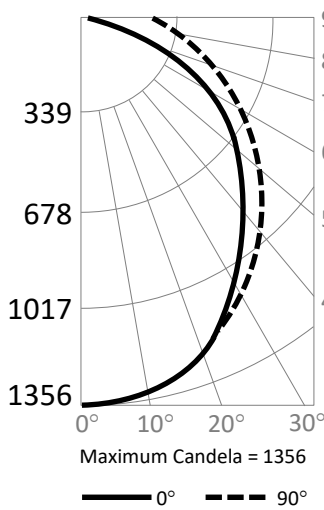
² All 50-60Hz.

³ Total harmonic distortion.

⁴ L₇₀ refers to the number of hours at which lumen output declines to 70% of the initial level. L₇₀ hours are IES TM-21-11 calculated hours.

PHOTOMETRIC DATA

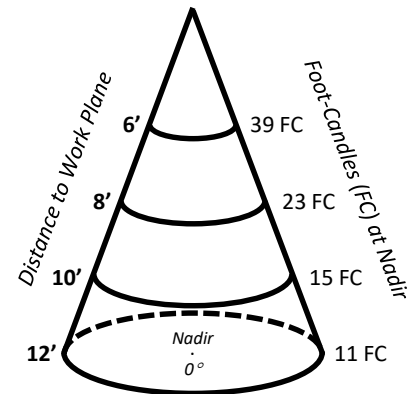
Model: LS-VTP-35-35KMV (4,244 lumens)



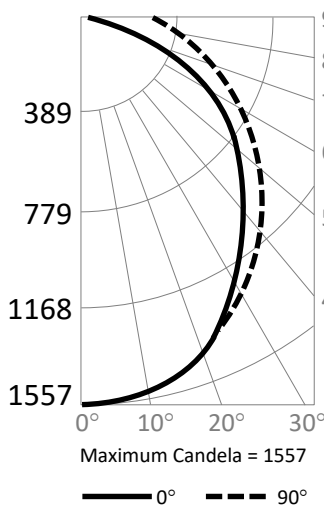
| | 0° | 90° |
|-----|-------|-------|
| 0° | 1,356 | 1,356 |
| 10° | 1,326 | 1,329 |
| 20° | 1,234 | 1,242 |
| 30° | 1,088 | 1,122 |
| 40° | 902 | 987 |
| 50° | 698 | 841 |
| 60° | 493 | 692 |
| 70° | 297 | 540 |
| 80° | 119 | 378 |
| 90° | 17 | 240 |

| Zone | Lumens | % Fixture |
|------------|--------|-----------|
| 0° – 10° | 128 | 3.0% |
| 0° – 20° | 489 | 11.5% |
| 0° – 30° | 1,026 | 24.2% |
| 0° – 40° | 1,661 | 39.1% |
| 0° – 50° | 2,313 | 54.5% |
| 0° – 60° | 2,912 | 68.6% |
| 0° – 70° | 3,403 | 80.2% |
| 0° – 80° | 3,752 | 88.4% |
| 0° – 90° | 3,957 | 93.2% |
| 90° – 180° | 287 | 6.8% |
| 0° – 180° | 4,244 | 100.0% |

Cone of Light



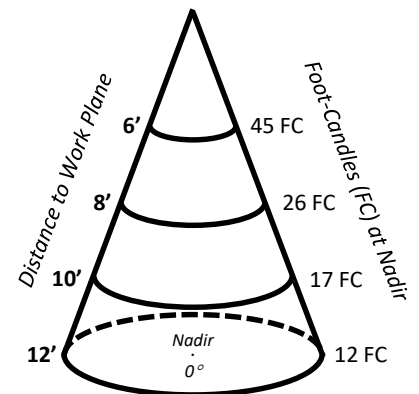
Model: LS-VTP-40-35KMV (4,793 lumens)



| | 0° | 90° |
|-----|-------|-------|
| 0° | 1,557 | 1,557 |
| 10° | 1,521 | 1,524 |
| 20° | 1,416 | 1,413 |
| 30° | 1,245 | 1,267 |
| 40° | 1,027 | 1,110 |
| 50° | 788 | 941 |
| 60° | 547 | 772 |
| 70° | 326 | 610 |
| 80° | 131 | 424 |
| 90° | 18 | 259 |

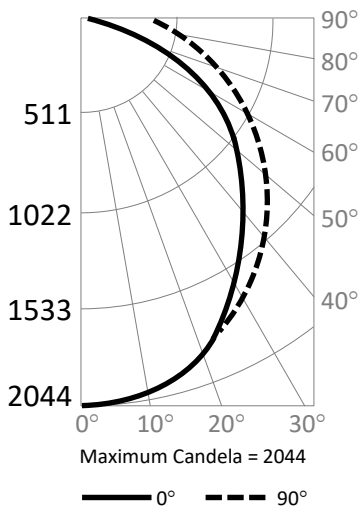
| Zone | Lumens | % Fixture |
|------------|--------|-----------|
| 0° – 10° | 147 | 3.1% |
| 0° – 20° | 562 | 11.7% |
| 0° – 30° | 1,176 | 24.5% |
| 0° – 40° | 1,899 | 39.6% |
| 0° – 50° | 2,638 | 55.0% |
| 0° – 60° | 3,311 | 69.1% |
| 0° – 70° | 3,861 | 80.6% |
| 0° – 80° | 4,254 | 88.8% |
| 0° – 90° | 4,486 | 93.6% |
| 90° – 180° | 307 | 6.4% |
| 0° – 180° | 4,793 | 100.0% |

Cone of Light



PHOTOMETRIC DATA

Model: LS-VTP-52-35KMV (6,469 lumens)



| | 0° | 90° |
|-----|-------|-------|
| 0° | 2,044 | 2,044 |
| 10° | 2,003 | 2,013 |
| 20° | 1,867 | 1,895 |
| 30° | 1,643 | 1,701 |
| 40° | 1,356 | 1,505 |
| 50° | 1,030 | 1,313 |
| 60° | 709 | 1,075 |
| 70° | 415 | 807 |
| 80° | 164 | 546 |
| 90° | 24 | 344 |

| Zone | Lumens | % Fixture |
|------------|--------|-----------|
| 0° – 10° | 193 | 3.0% |
| 0° – 20° | 743 | 11.5% |
| 0° – 30° | 1,561 | 24.1% |
| 0° – 40° | 2,527 | 39.1% |
| 0° – 50° | 3,521 | 54.4% |
| 0° – 60° | 4,436 | 68.6% |
| 0° – 70° | 5,185 | 80.1% |
| 0° – 80° | 5,713 | 88.3% |
| 0° – 90° | 6,027 | 93.2% |
| 90° – 180° | 442 | 6.8% |
| 0° – 180° | 6,469 | 100.0% |

