

Date:	Approved:
Type:	
Fixture:	
Project:	

Flat/Round Post-Top Luminaires

LS-PTFR

STANDARD



FEATURES

- Available in 3000k (warm white), 4000k (neutral white), and 5000k (cool white) color temperature.*
- Long-life LEDs provide at least 70% of initial lumen output (L_{70}) for $\geq 174,000$ hours of operation, and at least 90% of initial lumen output (L_{90}) for $\geq 51,000$ hours of operation.**
- LED chromaticity based on ≤ 6 -step ANSI quadrangles.
- LED color maintenance ≤ 0.002 chromaticity shift ($\Delta u'v'$) over the initial 6,000 hours of operation.
- PTFR provides a range of 7,000 to 20,000 nominal lumens and uses 52 to 152 nominal watts
- 1-10vdc dimming drivers, which provide 10% continuous dimming are standard.
- Universal 120-277 AC voltage (50-60Hz) is standard.
- Power factor > 0.90 .
- Total harmonic distortion $< 20\%$.
- Color rendering index (R_a) > 80 . Red color rendering of at least 0.
- Aluminum housing with dark bronze powder coat finish.
- LS-PTFR-7L & 10L = glass lens. LS-PTFR-20L = polycarbonate lens.
- Factory installed NEMA photocell receptacle & shorting cap options available. NEMA photocells are available as accessories (order separately).
- Compatible with 2" - 2 7/8" pole/tenons.
- Adjustable from 0° - 90° .
- Easy installation in new construction or retrofit applications.

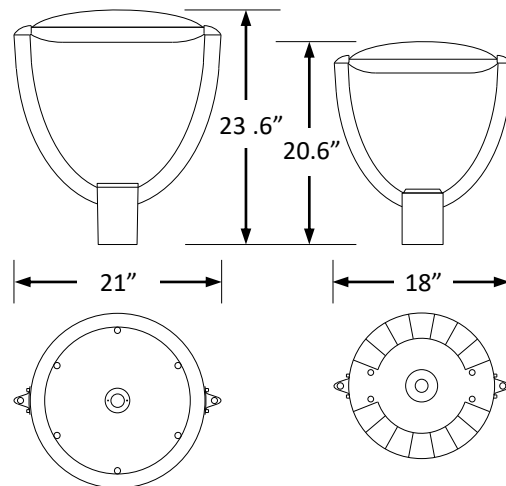
* Contact factory for other color temperatures and lumen packages.
 ** L70 hours are IES TM-21-11 calculated hours.



WARRANTY & LISTINGS

- cULus listed for wet locations in ambient temperatures from -30°C to 45°C (-22°F to 113°F).
- IP65 rated for ingress protection.
- DLC 5.1 premium approved.
- Complies with FCC Part 15, class B.
- Complies with ICE61000-4-5, input transient surge protection (2-6kV).
- Complies with RoHS (Restriction on Hazardous Substances) requirements.
- 5-year warranty of all electronics and housing.

DIMENSIONS



ORDERING INFORMATION

Example: LS-PTFR-10L-5K-P

Series	Nominal Lumen Output		Color Temperature		Photocell Receptacle		Accessories (Order Separately)	
	7L	10L	3K	4K	P	Blank	JL-205C23-IP65	NEMA Photocell
LS-PTFR	7,000 lumens	10,000 lumens	3000k	4000k	NEMA photocell receptacle	No receptacle		
	20,000 lumens		5K	5000k				

ELECTRICAL DATA

Model	Color Temperature	CRI ¹	Luminaire Lumens	Luminaire Watts	Lumens Per Watt	Input Voltage ²	Input Current (A)			Power Factor	THD ³	L ₇₀ Hours ⁴
							120V	240V	277V			
LS-PTFR-7L-3K	3000k	> 80	6,662	52	128	120-277	0.43	0.22	0.19	> 90%	< 20%	174,000
LS-PTFR-7L-4K	4000k	> 80	6,785	52	130	120-277	0.43	0.22	0.19	> 90%	< 20%	174,000
LS-PTFR-7L-5K	5000k	> 80	6,887	52	132	120-277	0.43	0.22	0.19	> 90%	< 20%	174,000
LS-PTFR-10L-3K	3000k	> 80	9,713	77	126	120-277	0.64	0.32	0.28	> 90%	< 20%	174,000
LS-PTFR-10L-4K	4000k	> 80	9,883	77	128	120-277	0.64	0.32	0.28	> 90%	< 20%	174,000
LS-PTFR-10L-5K	5000k	> 80	10,025	77	130	120-277	0.64	0.32	0.28	> 90%	< 20%	174,000
LS-PTFR-20L-3K	3000k	> 80	19,764	152	130	120-277	1.27	0.63	0.55	> 90%	< 20%	174,000
LS-PTFR-20L-4K	4000k	> 80	20,034	151	133	120-277	1.26	0.63	0.55	> 90%	< 20%	174,000
LS-PTFR-20L-5K	5000k	> 80	20,259	151	134	120-277	1.26	0.63	0.55	> 90%	< 20%	174,000

¹ Color rendering index.

² All 50-60Hz.

³ Total harmonic distortion.

⁴ L₇₀ refers to the number of hours at which lumen output declines to 70% of the initial level. L₇₀ hours are IES TM-21-11 calculated hours.

PHOTOMETRIC DATA

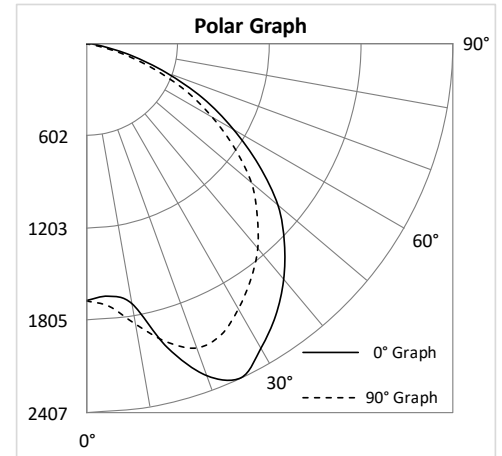
LS-PTFR-7L-3K

Luminaire Data

Description	Post Top Luminaire 7L, 3K
Total Lumens	6,662
Input Wattage	52
Efficacy (lm/W)	128
Max. Cd.	2423.24 (337.5H, 25V)
IES Classification	Type VS
Longitudinal Classification	Very Short

Luminaire Classification Systems (LCS)

LCS Zone		Lumens	%Lum
FL	0-30	857	12.9%
FM	30-60	1,897	28.5%
FH	60-80	555	8.3%
FVH	80-90	20	0.3%
BL	0-30	838	12.6%
BM	30-60	1,880	28.2%
BH	60-80	552	8.3%
BVH	80-90	19	0.3%
UL	90-100	7	0.1%
UH	100-180	38	0.6%
Total		6,662	100.0%
BUG Rating		B2-U2-G1	



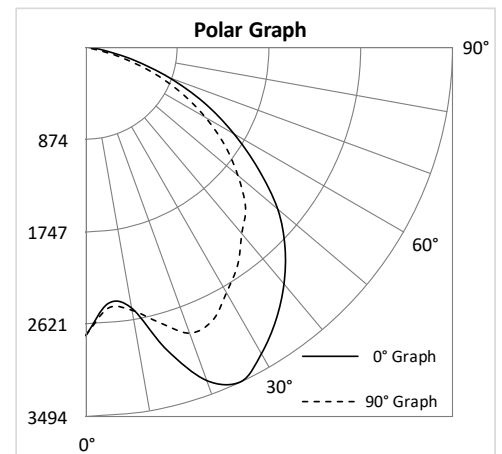
LS-PTFR-10L-3K

Luminaire Data

Description	Post Top Luminaire 10L, 3K
Total Lumens	9,713
Input Wattage	77
Efficacy (lm/W)	127
Max. Cd.	3568.51 (157.5H, 23V)
IES Classification	Type VS
Longitudinal Classification	Very Short

Luminaire Classification Systems (LCS)

LCS Zone		Lumens	%Lum
FL	0-30	1,233	12.7%
FM	30-60	2,731	28.1%
FH	60-80	818	8.4%
FVH	80-90	29	0.3%
BL	0-30	1,267	13.0%
BM	30-60	2,746	28.3%
BH	60-80	803	8.3%
BVH	80-90	27	0.3%
UL	90-100	9	0.1%
UH	100-180	51	0.5%
Total		9,713	100.0%
BUG Rating		B3-U3-G1	



PHOTOMETRIC DATA

LS-PTFR-20L-3K

Luminaire Data

Description	Post Top Luminaire 20L, 3K
Total Lumens	19,764
Input Wattage	152
Efficacy (lm/W)	130
Max. Cd.	8500.71 (157.5H, 26V)
IES Classification	Type VS
Longitudinal Classification	Very Short

Luminaire Classification Systems (LCS)

LCS Zone	Lumens	%Lum
FL 0-30	3,029	15.3%
FM 30-60	5,690	28.8%
FH 60-80	961	4.9%
FVH 80-90	60	0.3%
BL 0-30	3,054	15.5%
BM 30-60	5,737	29.0%
BH 60-80	974	4.9%
BVH 80-90	60	0.3%
UL 90-100	31	0.2%
UH 100-180	167	0.8%
Total	19,764	100.0%
BUG Rating	B4-U3-G1	

