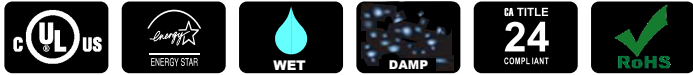


## 8" LED ARCHITECTURAL CAN & FRAME IN KIT

### LS-8C

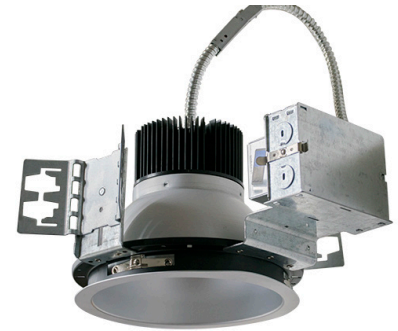
#### STANDARD



The Energy Star LS-8C series is a 8" commercial grade architectural can & frame in kit. Built for commercial use with architectural frames and a deep cone reflector for precision light. This high-efficiency luminaire provides long life - offered in two wattages and color temperatures.

#### FEATURES

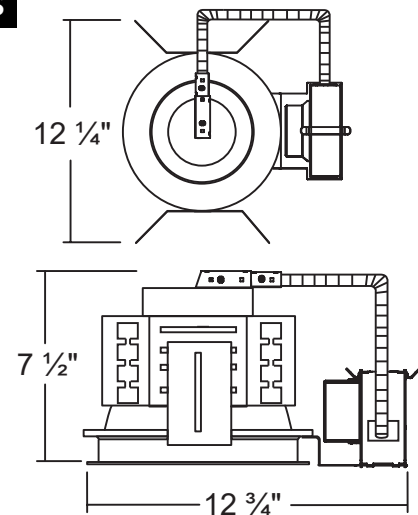
- Architectural frames
- C channel and flat hanger bars (ordered separately) for tie down to ceiling grids.
- 40 and 52 watts available in 4000K.
- Junction box is mounted on the frame for easy wiring, driver access for installation, and replacement.
- Diecast aluminum heatsink dissipates heat from the LED board.
- Self-flanged aluminum reflector with a frosted lens to shield direct view of LEDs.
- Universal 120-277 AC voltage (50/60Hz)
- 0-10V dimming
- Color rendering index  $\geq 90$ .
- Long life LEDs - up to 50,000hours.
- Operation Temp.  $-30^{\circ}\text{C} \sim 40^{\circ}\text{C}$  ( $-22^{\circ}\text{F} \sim 104^{\circ}\text{F}$ ).



#### WARRANTY & LISTINGS

- cULus Listed.
- Energy star listed.
- Suitable for wet locations (not suitable for coastal/salt water area).
- Suitable for damp locations.
- RoHS compliant.
- 5-year warranty of all electronics and housing.

#### DIMENSIONS



#### ORDERING INFORMATION

| Model     | Color Temperature | Luminaire Lumens | Luminaire Watts | Lumens / Watt |
|-----------|-------------------|------------------|-----------------|---------------|
| LS-8C-40A | 4000k             | 3090             | 40              | 77            |
| LS-8C-52A | 4000k             | 4530             | 52              | 87            |