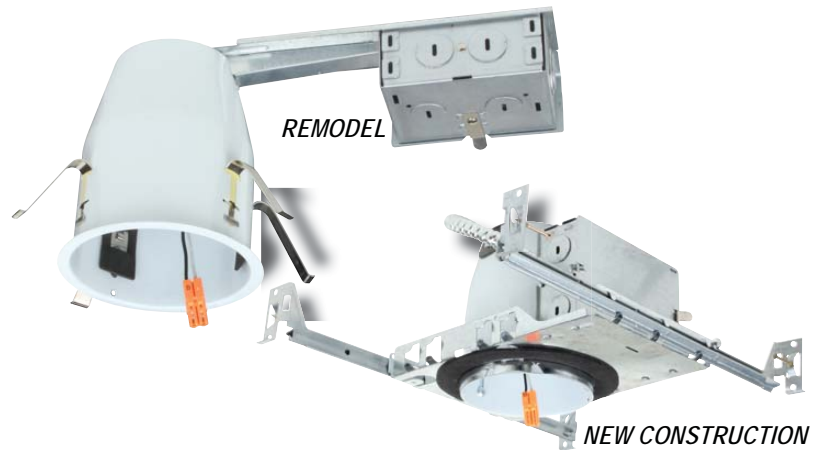


4" IC LED Dedicated Cans

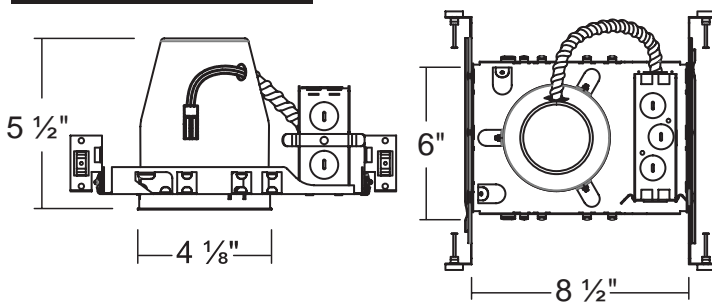
LS-4IC



APPLICATIONS

4" Dedicated IC housing available in New Construction and Remodel applications and suitable for direct contact with insulation. Air-Tight construction reduces energy costs by reducing the amount of air leakage through the ceiling.

NEW CONSTRUCTION

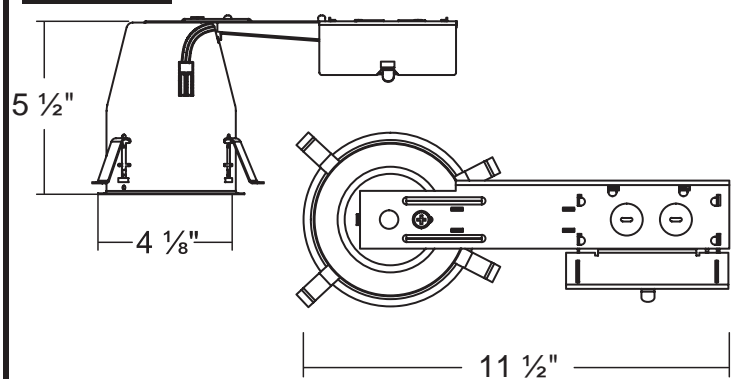


- Galvanized steel construction with removable housing for junction box access
- Pre-installed Real nail easily installs in regular and engineered lumber
- 13⁵/₈" - 25" Adjustable bar hangers can be repositioned 90° on plaster frame

FEATURES

- Listed for through-branch circuit wiring
- Contains one (1) 1¹/₈", six (6) 7⁸/₈" and four (4) Romex pryouts with strain relief
- cULus Listed for Damp Locations
- cULus Listed for Feed-Through
- Certified under ASTM-E283 for Air Tight construction
- Meets the state of California Title 24 Requirements
- Features Quick-Connect Adaptor

REMODEL



- Installs into existing drywall or wood ceilings with no above access
- Four (4) remodel clips secure housing and accommodates 1/2" and 5/8" ceiling materials

MODEL	DESCRIPTION
LS-4IC-NND	4" IC LED Dedicated Can for New Construction
LS-4IC-RND	4" IC LED Dedicated Can for Remodel applications