

Date:	Approved:
Type:	
Fixture:	
Project:	

Stadium Luminaires

LS-SDM

STANDARD



FEATURES

- Available in 3000k, 4000k, 5000k & 5700k color temperatures.*
- Long-life LEDs provide at least 145,000 hours of operation with at least 70% of initial lumen output (L₇₀).**
- Available models provide 39,000 to 77,000 nominal lumens, and 123 to 134 nominal lumens per watt (LPW).
- Two photometric distributions are available: NEMA type 3x3 (77L models), and NEMA type 5x5 (39L, 50L, & 64L models).
- Universal 120-277AC & 200-480 AC voltage (50-60Hz) are available.
- 2-meter AC power cords are standard. 25-meter AC power cords are optional.
- Power factor > 0.90.
- Total harmonic distortion < 20%.
- Color rendering index (R_a) > 80 (39L, 50L & 64L models) or > 70 (78L model).
- Visors and wall mounting bracket are standard. Rotating mounting bracket and laser aiming devices are accessories. Rotating bracket cannot be used with 78L.
- Adjustable from 0° to 100° vertically, and from 0° to 120° horizontally.
- Cold forged aluminum housing with black, powder coat finish.
- High-impact, polycarbonate lens.
- Easy installation in new construction or retrofit applications.

WARRANTY & LISTINGS

- cULus listed for wet locations in ambient temperatures from -40°C to 50°C (-40°F to 122°F).
- IP66 rated for ingress protection.
- DLC premium approved.
- Complies with FCC Part 15, class A.
- Complies with EN61000-4-2, surge immunity protection (2kV).
- Complies with RoHS (Restriction on Hazardous Substances) requirements.
- 5-year warranty of all electronics and housing.

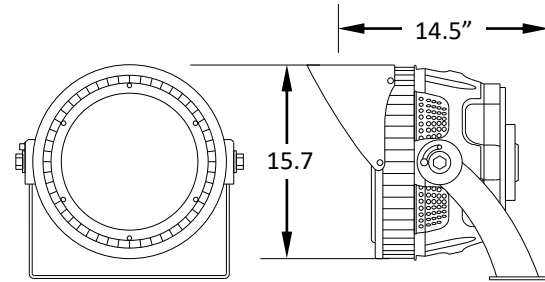
* Contact factory for other color temperatures and lumen packages.
 ** L70 hours are IES TM-21-11 calculated hours.



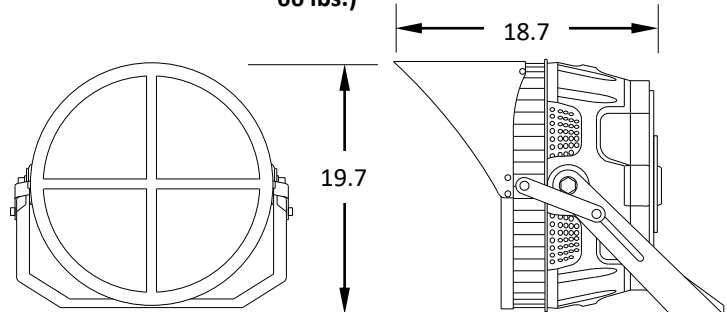
Shown with standard visor & wall mounting bracket

DIMENSIONS

LS-SDM-39L, LS-SDM-50L, & LS-SDM-64L Models (Weight: 36 lbs.)



LS-SDM-77L Model (Weight: 66 lbs.)



ORDERING INFORMATION

Example: LS-SDM-39L-3K-5X5

Model	Nominal Lumen Output		Color Temperature		Input Voltage		NEMA Distribution Type		Mounting Options		AC Power Cord Option		Accessories (Order Separately)	
LS-SDM	39L	39,000 lumens	3K	3000k	Blank	120-277V	3X3*	3 Horizontal x 3 Vertical	RMB	Rotating Mounting Bracket	82C3	25-meter AC power cord - 3-conductor	LS-SDM-LAD	Laser Aiming Device
	50L	50,000 lumens	4K	4000k	UNC	200-480V	5X5*	5 Horizontal x 5 Vertical	Blank	Standard Wall Bracket	Blank	Standard AC power cords		
	64L	64,000 lumens	5K	5000k										
	77L	77,000 lumens	57K	5700k										
*Note: Type 3x3 distribution is available on LS-SDM-77L and type 5x5 is available on LS-SDM-39L, LS-SDM-50L & LS-SDM-64L.														

ELECTRICAL DATA

Model	Color Temp.	CRI ¹	Luminaire Lumens	Luminaire Watts	Lumens Per Watt	Input Voltage ²	Input Current (A)			Power Factor	THD ³	L ₇₀ Hours ⁴
							120V	240V	277V			
120-277V Models												
LS-SDM-39L-3K-5X5	3000k	> 80	39,279	305	129	120-277	2.54	1.27	1.10	> 90%	< 20%	145,000
LS-SDM-39L-4K-5X5	4000k	> 80	39,881	305	131	120-277	2.54	1.27	1.10	> 90%	< 20%	145,000
LS-SDM-39L-5K-5X5	5000k	> 80	40,483	305	133	120-277	2.54	1.27	1.10	> 90%	< 20%	145,000
LS-SDM-39L-57K-5X5	5700k	> 80	40,784	305	134	120-277	2.54	1.27	1.10	> 90%	< 20%	145,000
LS-SDM-50L-3K-5X5	3000k	> 80	49,626	404	123	120-277	3.37	1.68	1.46	> 90%	< 20%	145,000
LS-SDM-50L-4K-5X5	4000k	> 80	50,643	404	125	120-277	3.37	1.68	1.46	> 90%	< 20%	145,000
LS-SDM-50L-5K-5X5	5000k	> 80	51,534	404	128	120-277	3.37	1.68	1.46	> 90%	< 20%	145,000
LS-SDM-50L-57K-5X5	5700k	> 80	51,980	404	129	120-277	3.37	1.68	1.46	> 90%	< 20%	145,000
LS-SDM-64L-3K-5X5	3000k	> 80	63,794	505	126	120-277	4.21	2.10	1.82	> 90%	< 20%	145,000
LS-SDM-64L-4K-5X5	4000k	> 80	65,040	505	129	120-277	4.21	2.10	1.82	> 90%	< 20%	145,000
LS-SDM-64L-5K-5X5	5000k	> 80	66,286	505	131	120-277	4.21	2.10	1.82	> 90%	< 20%	145,000
LS-SDM-64L-57K-5X5	5700k	> 80	66,909	505	132	120-277	4.21	2.10	1.82	> 90%	< 20%	145,000
LS-SDM-77L-3K-3X3	3000k	> 70	76,745	606	127	120-277	5.05	2.53	2.19	> 90%	< 20%	418,000
LS-SDM-77L-4K-3X3	4000k	> 70	78,256	606	129	120-277	5.05	2.53	2.19	> 90%	< 20%	418,000
LS-SDM-77L-5K-3X3	5000k	> 70	79,687	606	131	120-277	5.05	2.53	2.19	> 90%	< 20%	418,000
LS-SDM-77L-57K-3X3	5700k	> 70	80,403	606	133	120-277	5.05	2.53	2.19	> 90%	< 20%	418,000
200-480V Models												
							277V	347V	480V			
LS-SDM-39L-3K-UNC-5X5	3000k	> 80	39,252	306	128	200-480	1.10	0.88	0.64	> 90%	< 20%	145,000
LS-SDM-39L-4K-UNC-5X5	4000k	> 80	39,950	306	131	200-480	1.10	0.88	0.64	> 90%	< 20%	145,000
LS-SDM-39L-5K-UNC-5X5	5000k	> 80	40,507	306	132	200-480	1.10	0.88	0.64	> 90%	< 20%	145,000
LS-SDM-39L-57K-UNC-5X5	5700k	> 80	40,786	306	133	200-480	1.10	0.88	0.64	> 90%	< 20%	145,000
LS-SDM-50L-3K-UNC-5X5	3000k	> 80	49,448	402	123	200-480	1.45	1.16	0.84	> 90%	< 20%	145,000
LS-SDM-50L-4K-UNC-5X5	4000k	> 80	50,603	402	126	200-480	1.45	1.16	0.84	> 90%	< 20%	145,000
LS-SDM-50L-5K-UNC-5X5	5000k	> 80	51,419	402	128	200-480	1.45	1.16	0.84	> 90%	< 20%	145,000
LS-SDM-50L-57K-UNC-5X5	5700k	> 80	51,827	402	129	200-480	1.45	1.16	0.84	> 90%	< 20%	145,000
LS-SDM-64L-3K-UNC-5X5	3000k	> 80	63,994	505	127	200-480	1.82	1.46	1.05	> 90%	< 20%	145,000
LS-SDM-64L-4K-UNC-5X5	4000k	> 80	65,173	505	129	200-480	1.82	1.46	1.05	> 90%	< 20%	145,000
LS-SDM-64L-5K-UNC-5X5	5000k	> 80	66,352	505	131	200-480	1.82	1.46	1.05	> 90%	< 20%	145,000
LS-SDM-64L-57K-UNC-5X5	5700k	> 80	66,941	505	133	200-480	1.82	1.46	1.05	> 90%	< 20%	145,000
LS-SDM-77L-3K-UNC-3X3	3000k	> 70	76,600	604	127	200-480	2.18	1.74	1.26	> 90%	< 20%	421,000
LS-SDM-77L-4K-UNC-3X3	4000k	> 70	77,924	604	129	200-480	2.18	1.74	1.26	> 90%	< 20%	421,000
LS-SDM-77L-5K-UNC-3X3	5000k	> 70	79,247	604	131	200-480	2.18	1.74	1.26	> 90%	< 20%	421,000
LS-SDM-77L-57K-UNC-3X3	5700k	> 70	79,909	604	132	200-480	2.18	1.74	1.26	> 90%	< 20%	421,000

¹ Color rendering index.

² All 50-60Hz.

³ Total harmonic distortion.

⁴ L₇₀ refers to the number of hours at which lumen output declines to 70% of the initial level. L₇₀ hours are IES TM-21-11 calculated hours.