

Date:	Approved:
Type:	
Fixture:	
Project:	

## 2X4 Premium Back-Lit LED Panel

### LS-PNL2X4PRM

#### STANDARD



#### FEATURES

- Available in 3500k (warm/neutral white), 4000k (neutral white) & 5000k (cool white) color temperatures.\*
- Long-life LEDs provide at least 144,000 hours of operation with at least 70% of initial lumen output (L<sub>70</sub>).\*\*
- Provides 5,274 to 7,442 luminaire lumens, and 131 to 135 lumens per watt.\*
- Uniform illumination with no visible LED pixilation.
- Universal 120-277 AC voltage (50-60Hz) is standard.
- 0-10vdc dimming capability is standard.
- Power factor > 90.
- Total harmonic distortion < 20%.
- Color rendering index > 80.
- Aluminum frame and steel housing backplate.
- PMMA (polymethyl methacrylate) LED lenses for optimal light distribution, efficiency and longevity.
- Easy installation in new construction or retrofit.
- Standard earthquake clips provide secure installation in grid ceilings.
- Standard mounting options include recessed mounting in grid ceilings, or suspended mounting using attached hanging brackets. For mounting in plaster or other hard ceiling, see Mounting Kits.

\* Contact factory for other color temperatures and lumen packages.

\*\* L<sub>70</sub> hours are IES TM-21-11 calculated hours.



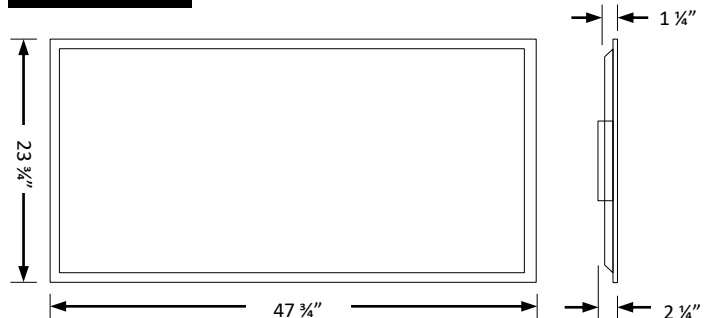
#### WARRANTY & LISTINGS

- cULus for damp locations and insulated ceilings (Type IC-rated). Suitable for ambient temperatures from -20°C to 40°C (-4°F to 104°F).
- DLC premium approved.
- Flicker-free per IEEE1789-2015 (no observable adverse effects of flicker at 100% light output level).
- Complies with RoHS (Restriction on Hazardous Substances) requirements.
- Complies with FCC Part 15, class B.
- Complies with EN61000-4-5, surge immunity protection (1kV).
- 5-year warranty of all electronics and housing.

#### MOUNTING KITS

- Optional Surface Mount Kits (LS-SMKT-24) and Flange Mounting Kits (FLANGEKIT24-ET) provide for installation on plaster or other hard ceilings.
- Optional Cable Mounting Kits (LS-PNL-CMK) provide additional security, as well as suspended mounting.

#### DIMENSIONS



Weight: 9 lbs.

#### ORDERING INFORMATION

Example: LS-PNL2X4-50L-35K-PRM-EM20

Series	Nominal Lumens		Color Temperature		DLC		Emergency Driver <sup>1,2</sup>	
	50L	70L	35K	4000k	PRM	PREMIUM		
LS-PNL2X4	5,000 lm		3500K				EM8	800 lumens
			4K				EM12	1,200 lumens
			4000k				EM16	1,600 lumens
			5000k				EM20	2,000 lumens
	7,000 lm						EM24	2,400 lumens
							EC8	800 lumens
							EC12	1,200 lumens
							EC16	1,600 lumens
							EC20	2,000 lumens
							EC24	2,400 lumens
							Blank	No emergency driver

<sup>1</sup> See list of emergency drivers (page 2).

<sup>2</sup> EC emergency drivers are California Energy Commission (CEC) listed.

## COMPATIBLE EMERGENCY DRIVERS

Emergency Driver Part Number	EM8 / EC8		EM12 / EC12		EM16 / EC16		EM20 / EC20		EM24 / EC24		Runtime
Model	Watts	EM Lumens	Watts	EM Lumens	Watts	EM Lumens	Watts	EM Lumens	Watts	EM Lumens	
LS-PNL2X2-40L-xK	5.0	590	7.8	920	10.7	1263	13.7	1617	17.0	2006	90 MINS.
LS-PNL2X4-50L-xK	5.0	600	7.8	936	10.7	1284	13.7	1644	17.0	2040	
LS-PNL1X4-40L-xK-PRM	5.0	640	7.8	998	10.7	1370	13.7	1754	17.0	2176	
LS-PNL2X2-40L-xK-PRM	5.0	645	7.8	1006	10.7	1380	13.7	1767	17.0	2193	
LS-PNL2X4-50L-xK-PRM	5.0	655	7.8	1022	10.7	1402	13.7	1795	17.0	2227	
LS-PNL2X4-70L-xK-PRM	5.0	655	7.8	1022	10.7	1402	13.7	1795	17.0	2227	

## Compatible Dimmers

Manufacture	Model Number	Dimming Range	Load Switching Capacity
Lutron	DVSTV	10%-100%	450W
Leviton	IP710-LFZ	10%-100%	1200W
General Protecht	DMD-LED3-102	10%-100%	600W

## ELECTRICAL DATA

Model	Color Temperature	CRI <sup>1</sup>	Luminaire Lumens	Luminaire Watts	Lumens Per Watt	Input Voltage <sup>2</sup>	Input Current (A)			Power Factor	THD <sup>3</sup>	L <sub>70</sub> Hours <sup>4</sup>
							120V	240V	277V			
LS-PNL2X4-50L-35K-PRM	3500K	> 80	5,274	40	131	120-277	0.33	0.17	0.14	> 90%	< 20%	144,000
LS-PNL2X4-50L-4K-PRM	4000K	> 80	5,330	40	132	120-277	0.33	0.17	0.14	> 90%	< 20%	144,000
LS-PNL2X4-50L-5K-PRM	5000K	> 80	5,385	40	134	120-277	0.33	0.17	0.14	> 90%	< 20%	144,000
LS-PNL2X4-70L-35K-PRM	3500K	> 80	7,217	55	131	120-277	0.46	0.23	0.20	> 90%	< 20%	144,000
LS-PNL2X4-70L-4K-PRM	4000K	> 80	7,330	55	133	120-277	0.46	0.23	0.20	> 90%	< 20%	144,000
LS-PNL2X4-70L-5K-PRM	5000K	> 80	7,442	55	135	120-277	0.46	0.23	0.20	> 90%	< 20%	144,000

<sup>1</sup> Color rendering index.

<sup>2</sup> All 50-60Hz.

<sup>3</sup> Total harmonic distortion.

<sup>4</sup> L<sub>70</sub> refers to the number of hours at which lumen output declines to 70% of the initial level. L<sub>70</sub> hours are IES TM-21-11 calculated hours.

## PHOTOMETRIC DATA

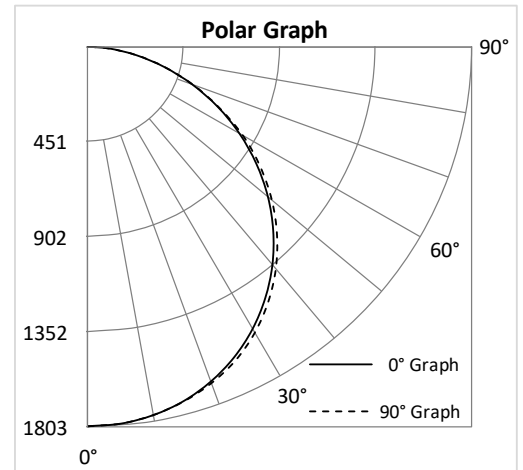
### LS-PNL2X4-50L-5K-PRM

#### Luminaire Data

Description	2x4 Premium Back Lit LED Panel - 50L 5K
Total Lumens	5,385
Input Wattage	40
Efficacy (lm/W)	134
Spacing Criterion (0-180°)	1.28
Spacing Criterion (90-270°)	1.30

#### Zonal Lumen Summary

Zone	Lumens	%Fixt
0-20°	663	12.3%
0-30°	1,418	26.3%
0-40°	2,338	43.4%
20-50°	2,638	49.0%
40-70°	2,518	46.8%
0-60°	4,181	77.6%
0-80°	5,258	97.6%
0-90°	5,379	99.9%
90-180°	6	0.1%
0-180°	5,385	100.0%



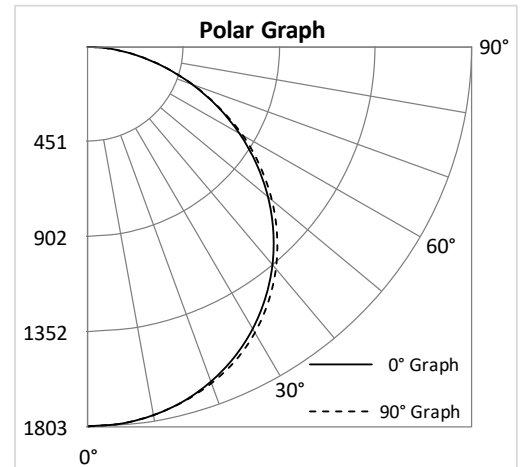
### LS-PNL2X4-70L-5K-PRM

#### Luminaire Data

Description	2x4 Premium Back Lit LED Panel - 70L 5K
Total Lumens	7,442
Input Wattage	55
Efficacy (lm/W)	135
Spacing Criterion (0-180°)	1.28
Spacing Criterion (90-270°)	1.30

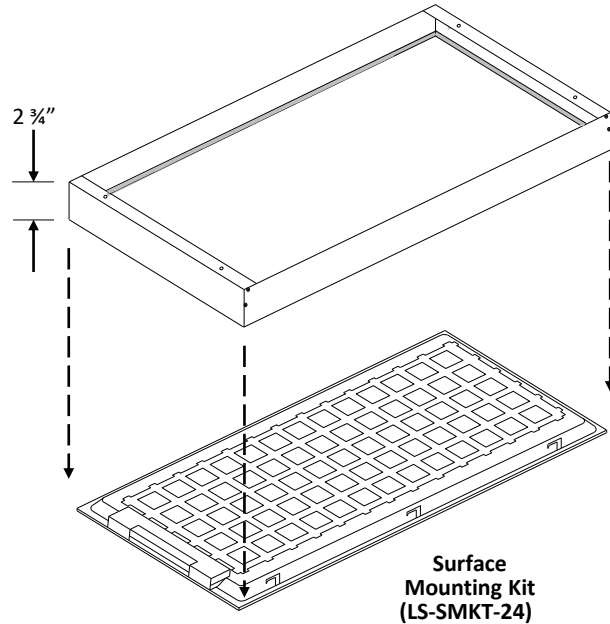
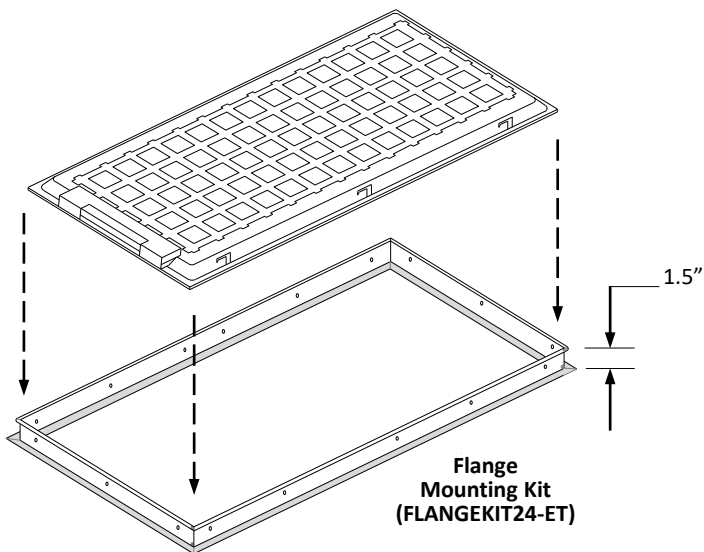
#### Zonal Lumen Summary

Zone	Lumens	%Fixt
0-20°	922	12.4%
0-30°	1,970	26.5%
0-40°	3,247	43.6%
20-50°	3,661	49.2%
40-70°	3,485	46.8%
0-60°	5,799	77.9%
0-80°	7,276	97.8%
0-90°	7,434	99.9%
90-180°	8	0.1%
0-180°	7,442	100.0%

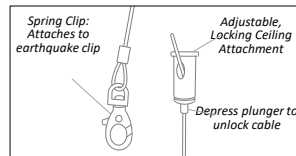


## MOUNTING MEANS – ORDER SEPERATATLY

- Optional surface mounting kits (LS-SMKT-24) mounts below the ceiling.
- Optional flange mounting kits provide for recessed installation on plaster or other hard ceilings. Attach Flange Mount Kit (FLANGEKIT24-ET) to ceiling joists or other stationary structures, and the panel is mounted flush to the ceiling.
- Optional cable mounting kits provide additional security, as well as suspended mounting. Attach one end of the Cable Mount Kit (LS-PNL-CMK) to luminaire earthquake clips using spring clips, and attach the other end to stationary structures using the adjustable, locking ceiling attachment (see picture below right).



### Cable Mounting Kit (LS-PNL-CMK)



#### Cable Mount Kit:

- Spring Clip
- Adjustable, locking ceiling attachment