

Date:	Approved:
Type:	
Fixture:	
Project:	

Button & Pencil Photocells (120-277V)

STANDARD



Light-sensitive photocell switches luminaires off when ambient light is present, and switches them on when ambient light is absent. Ideal for use with outdoor luminaires requiring photoelectric automation. Rain-tight for outdoor use. Preset time delay prevents unintended switching from flashes due to headlights, lightning and other transitory lighting sources.

FEATURES

- Switches light sources including LED, incandescent, HID and fluorescent.
- Heavy-duty, rain-proof, polycarbonate housing and lens.
- Photocell is 1/2" diameter CdS (cadmium-sulfide).
- Universal 120-277 AC voltage (50-60Hz) is standard.
- Preset 3 to 10 second time-delay prevents unintended switching due to momentary flashes of light.
- Power consumption: 2 watts.
- Switches light source on when ambient lighting levels decrease to 1-2 foot-candles.
- Switches light source off when ambient lighting levels increase to 3-8 foot-candles.

WARRANTY & LISTINGS

- cULus listed.
- Suitable for ambient temperatures ranging from -40°C to 70°C / -40°F to 158°F, 99% relative humidity.
- 5-year warranty on all electronics and housing.

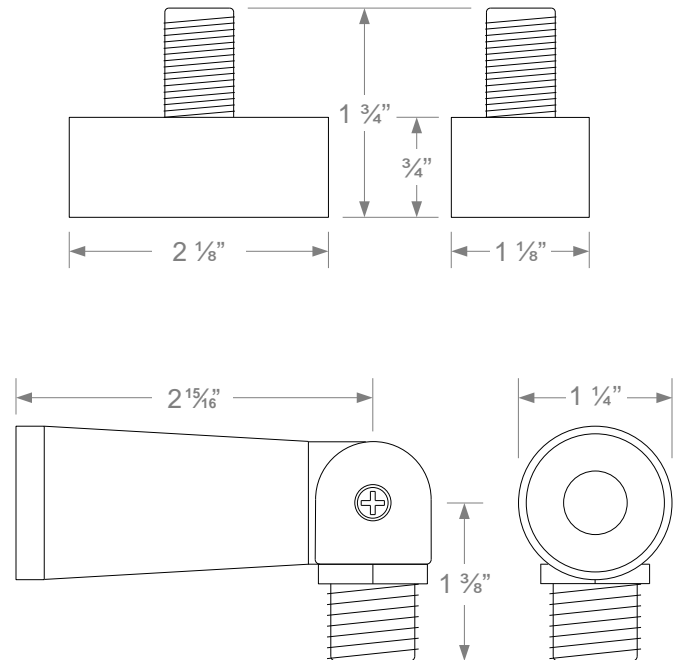


Model LS-JL-403C
(Button Type Photocell)



Model LS-JL-404C
(Pencil Type Photocell)

DIMENSIONS



ORDERING INFORMATION

Model	Type	Power (W)	Swivel	Rated Load (Tungsten Lamp)	Rated Load (Ballasted Lamp)	Mounting Nipple	Power Leads
LS-JL-403C	Button	2	None	500W	850VA	3/8" threaded, neoprene gasket & plastic nut	18 AWG, 150°C, 6"
LS-JL-404C	Pencil	2	0-200°	500W	850VA	1/2" (NPS) threaded conduit & zinc alloy nut	16 AWG, 150°C, 6"

WIRING DIAGRAMS

